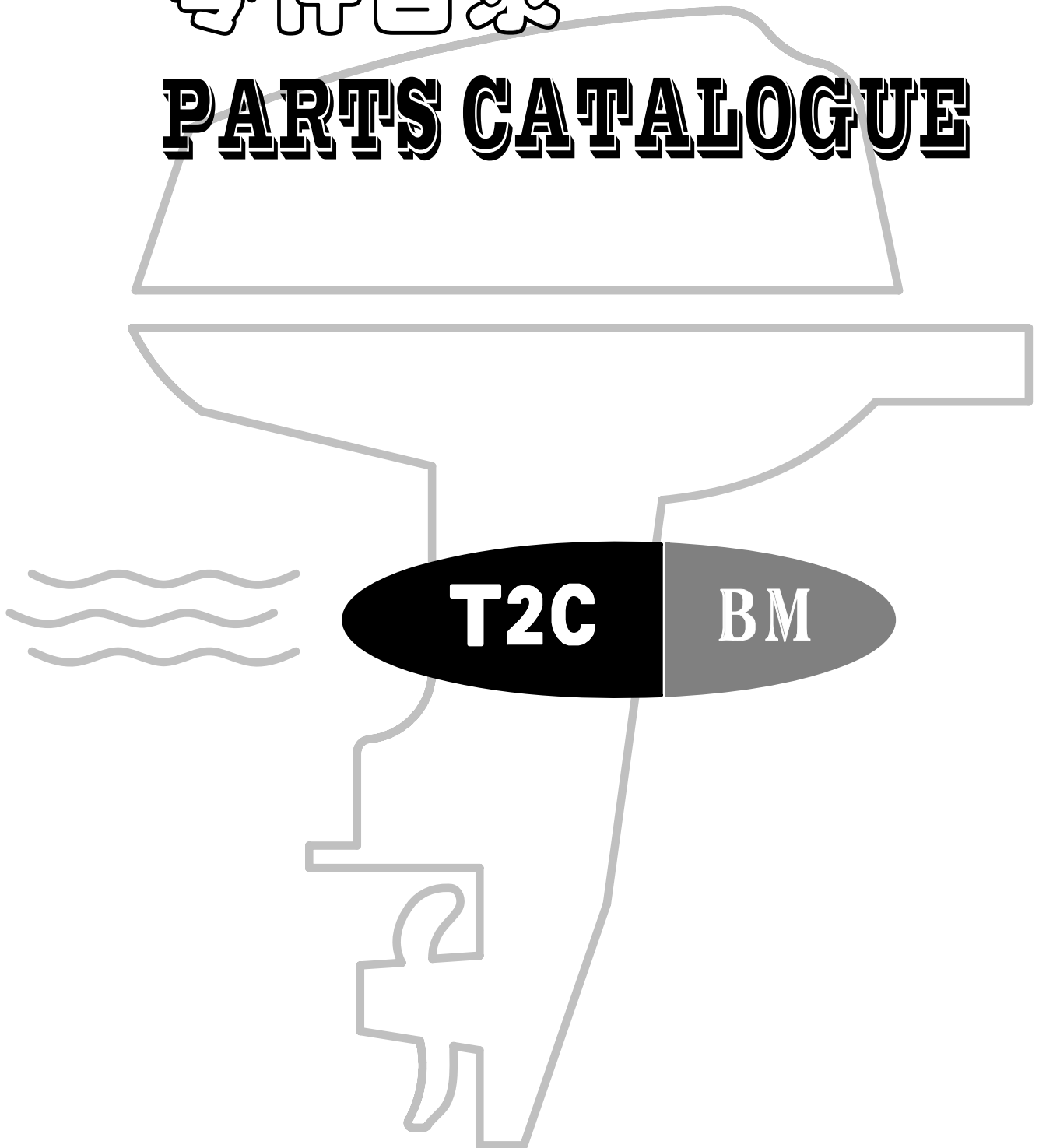


零件目录

PARTS CATALOGUE



苏州百胜动力机器有限公司

SUZHOU PARSUN POWER MACHINE CO., LTD

目次

CONTENTS

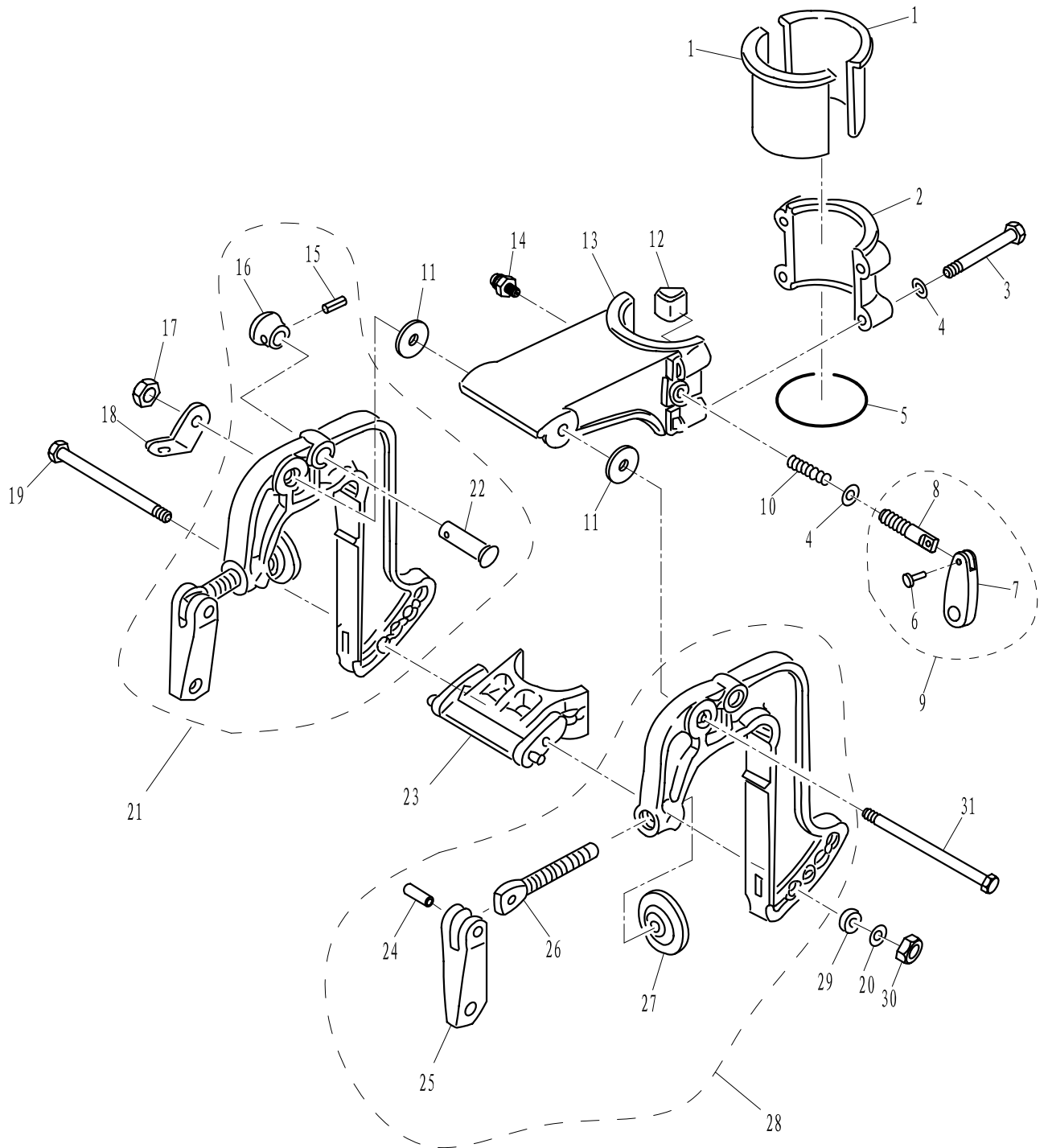
托架 — — — — —	1 ~ 2
BRACKET — — — — —	1 ~ 2
水上装置壳体 — — — — —	3 ~ 4
UPPER CASING — — — — —	3 ~ 4
顶罩 — — — — —	5
TOP COWLING — — — — —	5
底罩 — — — — —	6
BOTTOM COWLING — — — — —	6
水下装置壳体&驱动系统 — — — — —	7 ~ 9
LOWER CASING & DRIVE — — — — —	7 ~ 9
点火系统 — — — — —	10 ~ 11
IGNITION SYSTEM — — — — —	10 ~ 11
曲轴&活塞 — — — — —	12 ~ 13
CRANKSHAFT & PISTON — — — — —	12 ~ 13
曲轴箱 — — — — —	14 ~ 15
CRANKCASE — — — — —	14 ~ 15
燃油系统 — — — — —	16 ~ 17
FUEL SYSTEM — — — — —	16 ~ 17
化油器总成 — — — — —	18 ~ 19
CARBURETOR ASSY — — — — —	18 ~ 19
起动机 — — — — —	20 ~ 21
STARTER — — — — —	20 ~ 21
发动机头总成(修理件) — — — — —	22 ~ 23
CYLINDER HEAD ASSY (REPARE KIT) — — — — —	22 ~ 23
附录1(修理件) — — — — —	24 ~ 25
APPENDIX 1 (REPATE KIT) — — — — —	24 ~ 25
零件目录检索表 — — — — —	I ~ II
PARTS CATALOGUE INDEX — — — — —	I ~ II

零部件名称:

托架

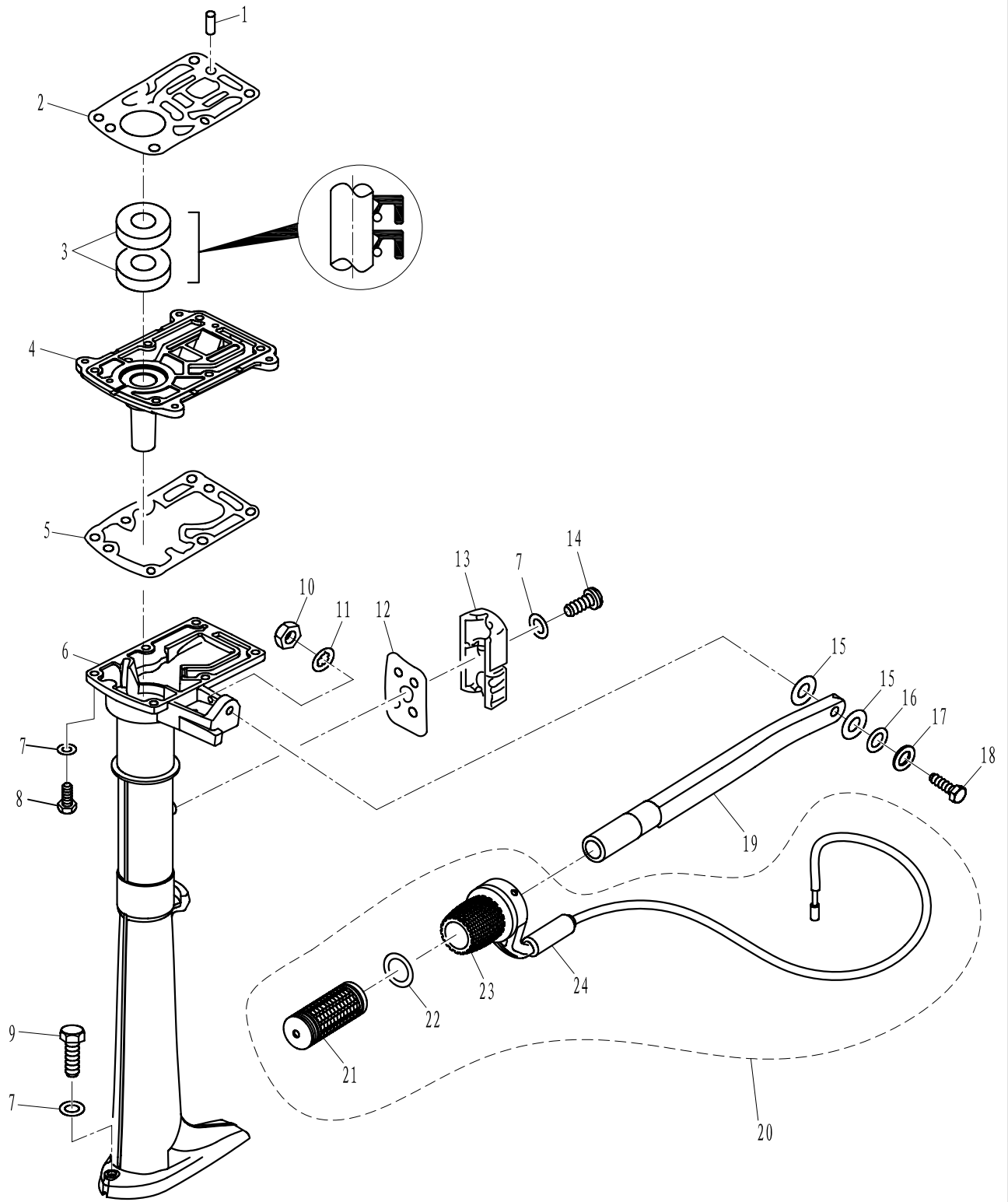
PARTS NAME:

BRACKET



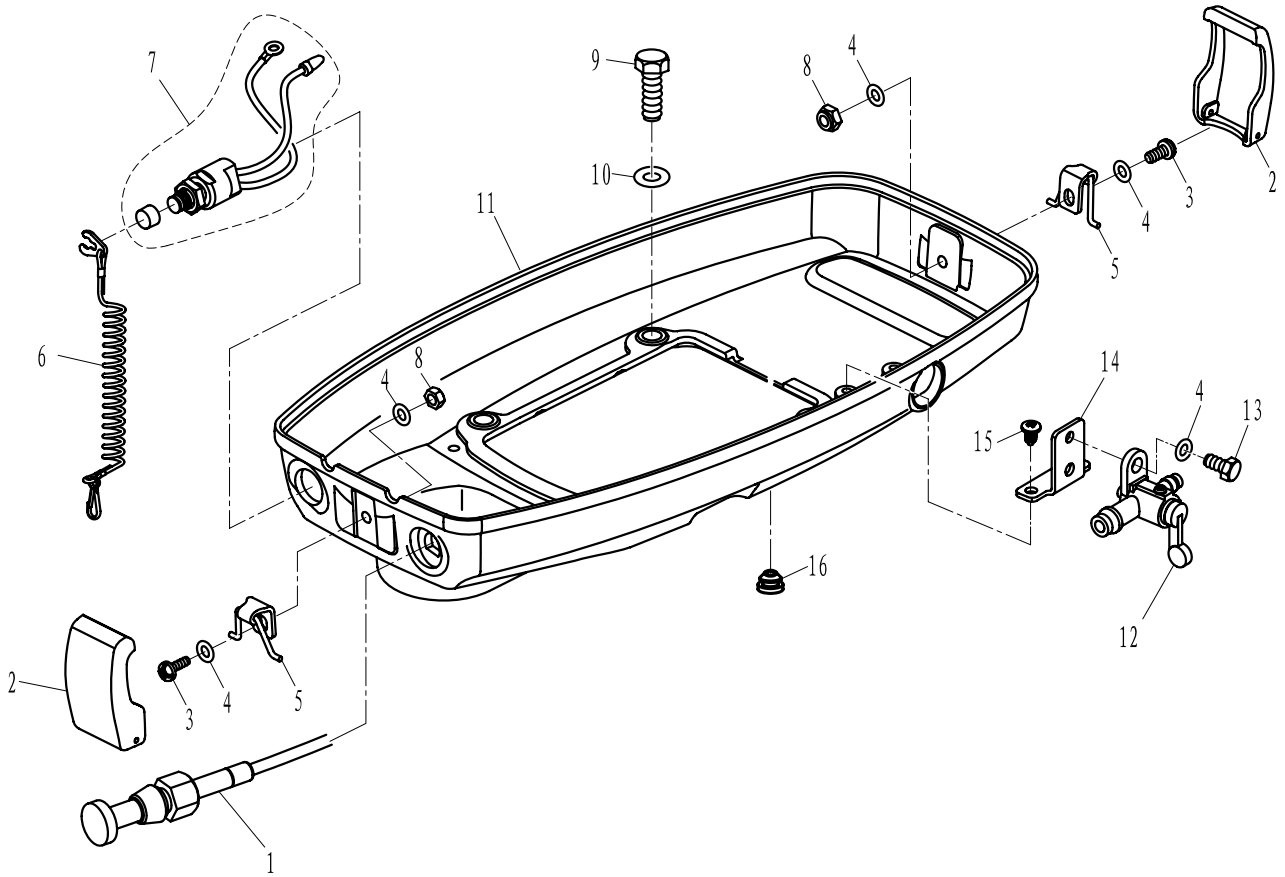
零部件名称: 水上装置壳体

PARTS NAME: UPPER CASING



零部件名称: 底罩

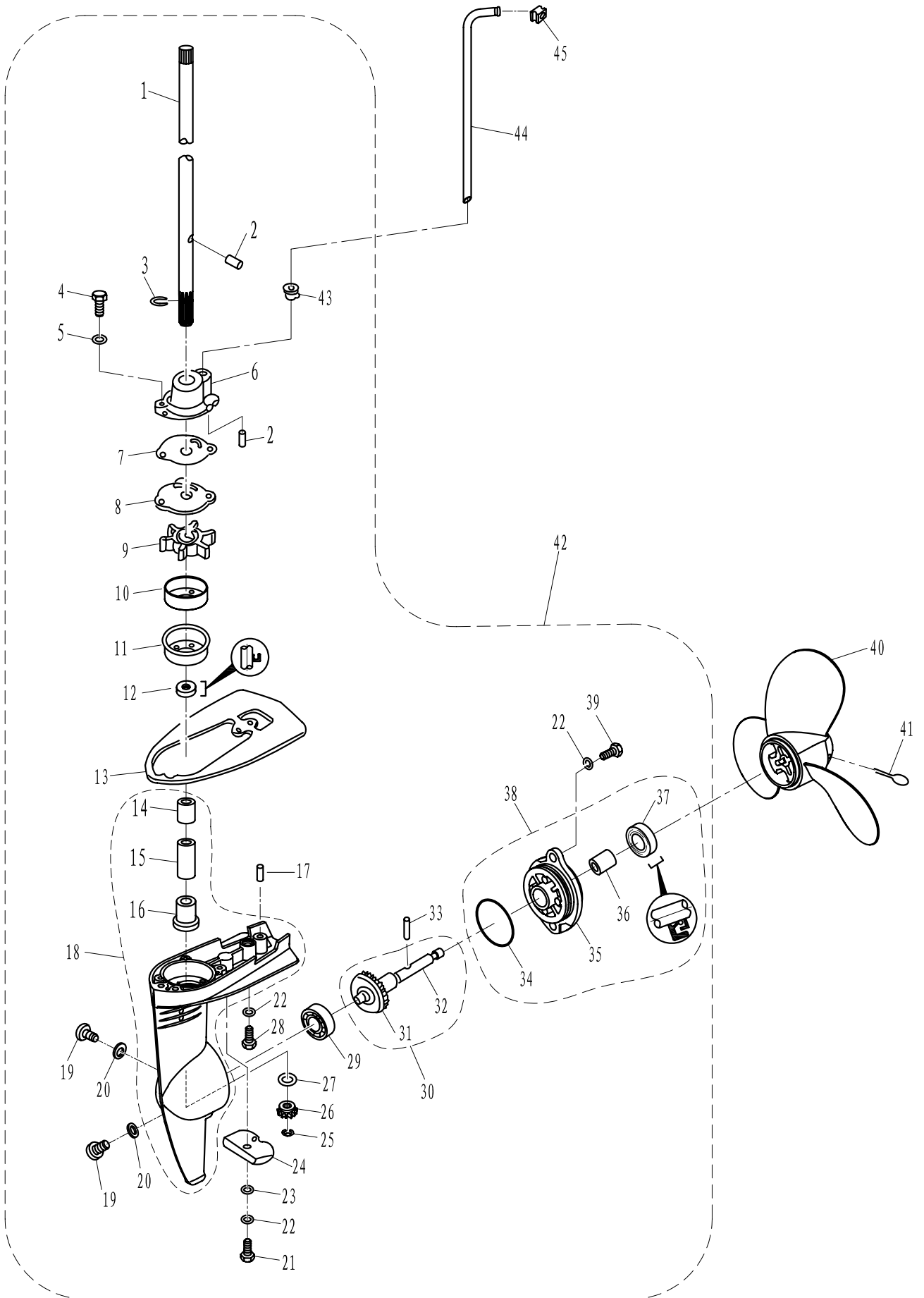
PARTS NAME: BOTTOM COWLING



SN. 参照号码	PART NO. 零件编号	DESCRIPTION 零件名称(中文)	DESCRIPTION 零件名称(英文)	QTY 数量					REMARKS 备注
1	T3.6-05000200	阻风门组件	CHOKE ASSY	1					
2	F4-05000023	顶罩锁紧钩	HOOK, LOCK	2					
3	GB/T818-M5x16	十字槽盘头螺钉M5x16	SCREW, PAN HEAD M5x16	2					
4	GB/T97.1-5	平垫圈 5	WASHER 5	5					
5	F4-05000020	顶罩锁紧钩座组件	SEAT ASSY, LOCKING HOOK	2					
6	F4-01090401	引擎停止安全索	STOPER , HANG ROPE ASSY	1					
7	F4-01090400	急停开关组件	ENGINE STOP SWITCH ASSY	1					
8	GB/T889.1-M5	非金属嵌件六角锁紧螺母 M5	LOCK NUT M5	2					
9	GB/T5783-M6x14	六角螺栓 M6x14	BOLT M6x14	4					
10	GB/T97.1-6	平垫圈 6	WASHER 6	4					
11	T2-08000000C	底罩组件	BOTTOM COWLING ASSY	1					
12	T2-08000200C	油开关组件	OIL SWITH ASSY	1					
13	GB/T5783-M5x10	六角螺栓 M5x10	BOLT M5X10	1					
14	T2-08000101C	油开关固定板	PLAT, OIL SWITH	1					
15	GB/T845-ST4.8x9.5	十字槽盘头自攻螺钉ST4.8x9.5	SCREW, TAPPING ST4.8x9.5	2					
16	F4-02000011	变档轴密封圈	SEAL, SHIFT ROD	1					

零部件名称: 水下装置壳体&驱动系统

PARTS NAME: LOWER CASING & DRIVE



零部件名称:

水下装置壳体&驱动系统

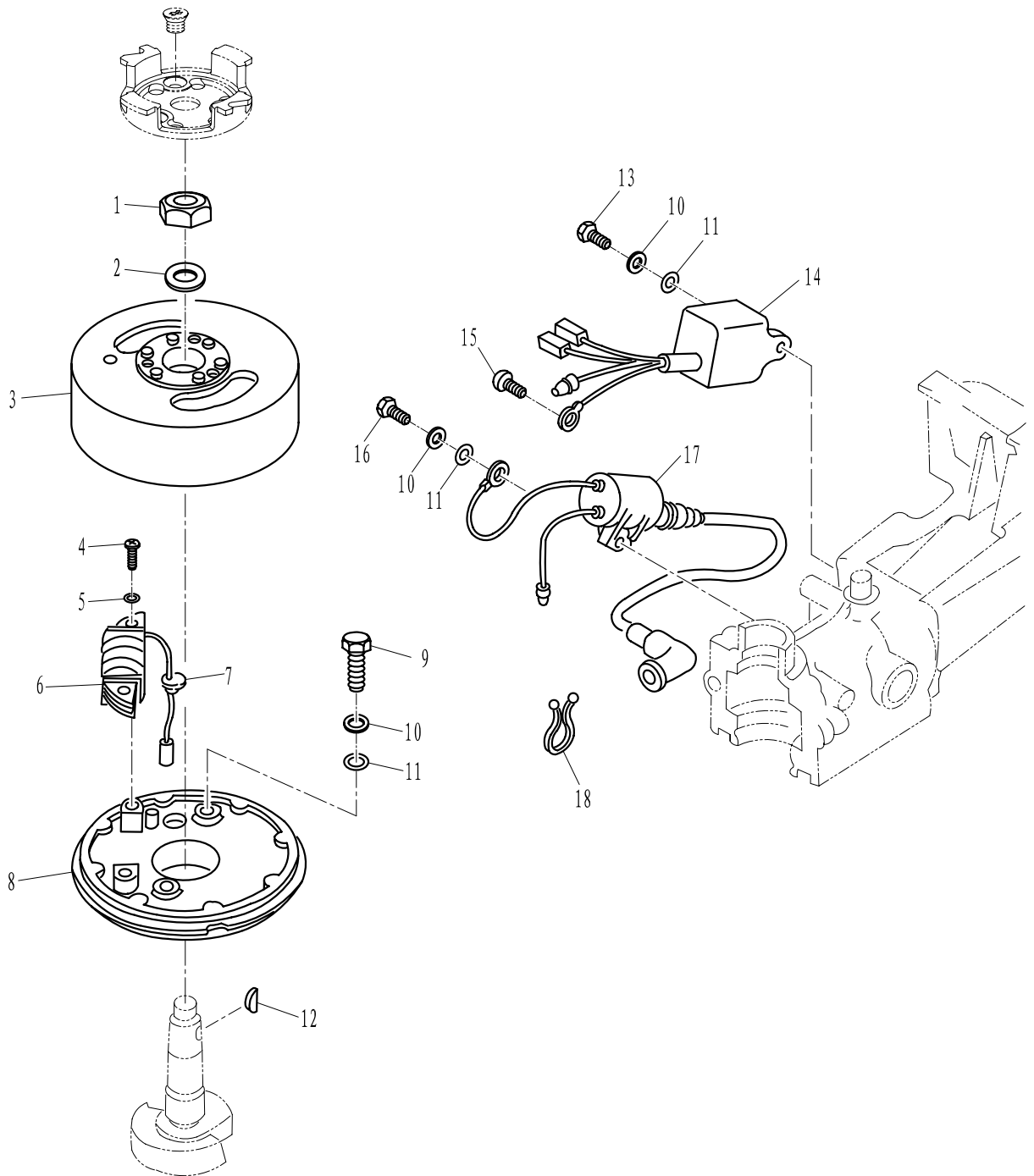
PARTS NAME:

LOWER CASING & DRIVE

SN. 参照号码	PART NO. 零件编号	DESCRIPTION 零件名称(中文)	DESCRIPTION 零件名称(英文)	QTY 数量					REMARKS 备注
1	T2-03000008	驱动轴	DRIVE SHAFT	1					
2	F2.6-03000013	叶轮定位销 $\phi 3.5 \times 7$	DOWEL PIN $\phi 3.5 \times 7$	3					
3	F2.6-03000012	轴用钢丝挡圈	CIRCLIP	1					
4	GB/T5783-M5x16	六角螺栓 M5x16	BOLT M5x16	2					
5	GB/T97.1-5	平垫圈5	WASHER 5	2					
6	T2-03000009	水泵座	COVER, WATER PUMP HOUSING	1					
7	T2-03000010	水泵密封垫	GASKET, WATER PUMP	1					
8	T2-03000016	外挡板	OUTER PLATE	1					
9	T2-03000100	叶轮组件	IMPELLER ASSY	1					
10	T2-03000006	水泵内壳	INNER SHELL, WATER PUMP	1					
11	T2-03000007	内壳护盖	COVER, INNER SHELL	1					
12	T2-03000018	驱动轴下油封 $9.8 \times 21 \times 8$	OIL SEAL	1					
13	T2-00000002	防涡流板	PLATE	1					
14	T2-03000004	不带档边筒形轴承	BEARING	1					
15	T2-03000003	驱动轴衬套	BUSHING, DRIVE SHAFT	1					
16	T2-03000002	带档边筒形轴承	BEARING	1					
17	T2-00000001	定位销 $\phi 5 \times 18$	PIN $\phi 5 \times 18$	2					
18	T2-03000019	水下装置壳体组件	LOWER CASING ASSY	1					
19	F4-03000023	注油孔螺塞	PLUG, OIL HOLE	2					
20	F4-03000024	注油孔螺塞垫	GASKET	2					
21	GB/T5783-M6x12	六角螺栓 M6x12	BOLT M6x12	1					
22	GB/T97.1-6	平垫圈6	WASHER 6	4					
23	GB/T861.1-6	内齿锁紧垫圈6	WASHER 6, INTERNAL TOOTH	1					
24	F4-03000022	阳极	ANODE	1					
25	GB/T896-6	开口挡圈6	CIRCLIP 6	1					
26	T2-03000013	主动齿轮	INITIATIVE GEAR	1					
27	F2.6-03000017	主动轮填隙片	SHIM	1					
28	GB/T5783-M6x35	六角螺栓 M6x35	BOLT M6x35	1					
29	T2-03000005	深沟球轴承 6000P5	BEARING 6000P5	1					
30	T2-03000200	螺旋桨轴组件	SHAFT ASSY, PROPELLER	1					
31	T2-03000201	正档齿轮	FORWARD GEAR	1					
32	T2-03000202	螺旋桨轴	SHAFT, PROPELLER	1					
33	T2-03000014	螺旋桨限位销	PIN, PROPELLER	1					
34	GB/T3452.1- $\phi 42.2 \times 2.4$	O形密封圈 $\phi 42.2 \times 2.4$	O-RING $\phi 42.2 \times 2.4$	1					
35	T2-03000301	水下装置壳体盖	COVER, LOWER CASING	1					
36	T2-03000302	筒形轴承	BEARING	1					
37	T2-03000303	壳盖油封 $11 \times 21 \times 8$	OIL SEAL $11 \times 21 \times 8$	1					
38	T2-03000300	水下壳体盖组件	COVER ASSY, LOWER CASING	1					
39	GB/T5783-M6x16	六角螺栓 M6x16	BOLT M6x16	2					
40	T2-03000015	螺旋桨体	PROPELLER	1					
41	GB/T91- $\phi 3.2 \times 40$	开口销 $\phi 3.2 \times 40$	COTTER PIN $\phi 3.2 \times 40$	1					
42	T2-03000000	水下装置组件	LOWER CASING ASSY	1					
43	T2-03000011	水管导向圈	SEAL, WATER PIPE	1					

零部件名称: 点火系统

PARTS NAME: IGNITION SYSTEM

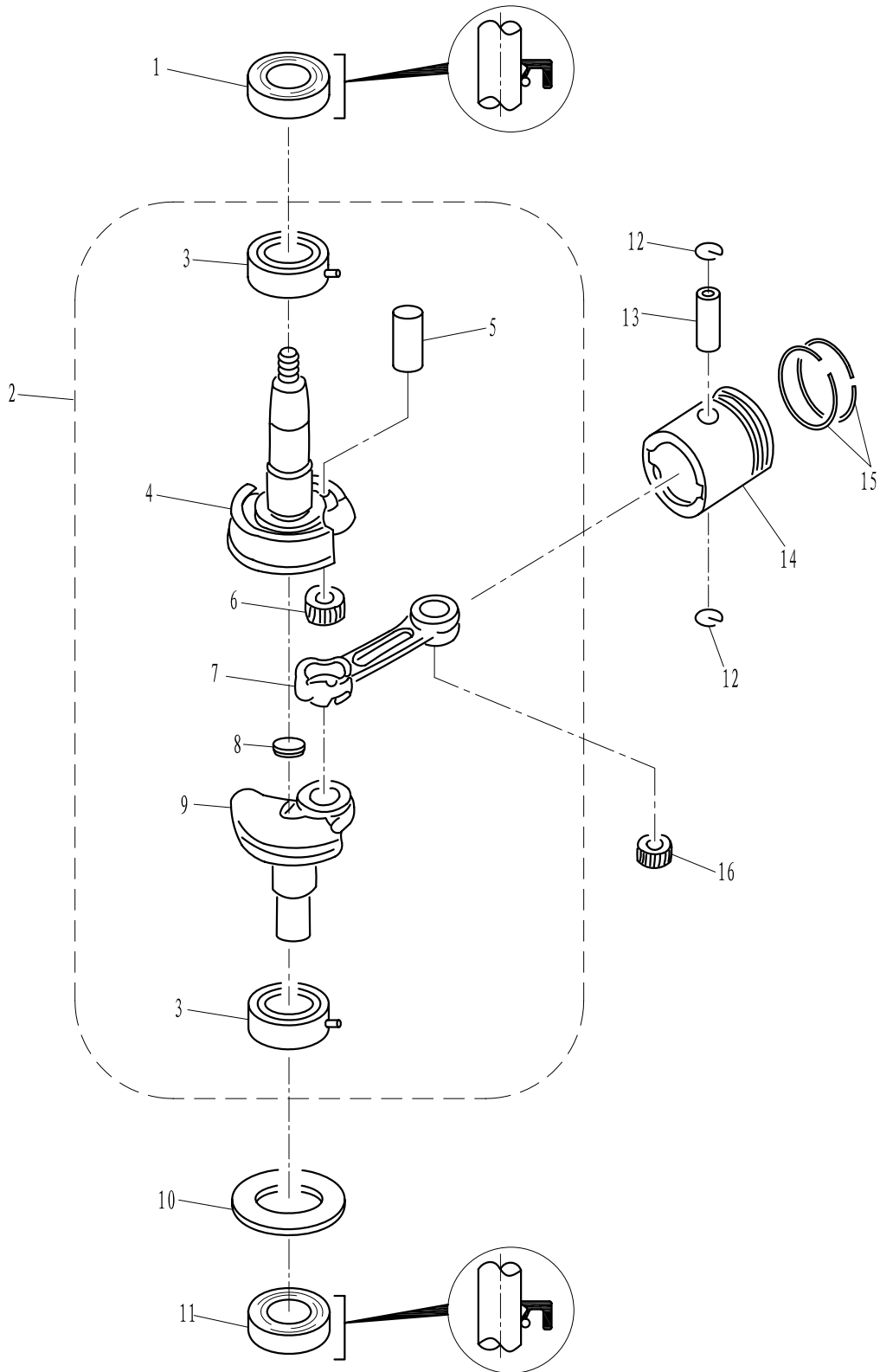


零部件名称:

曲轴&活塞

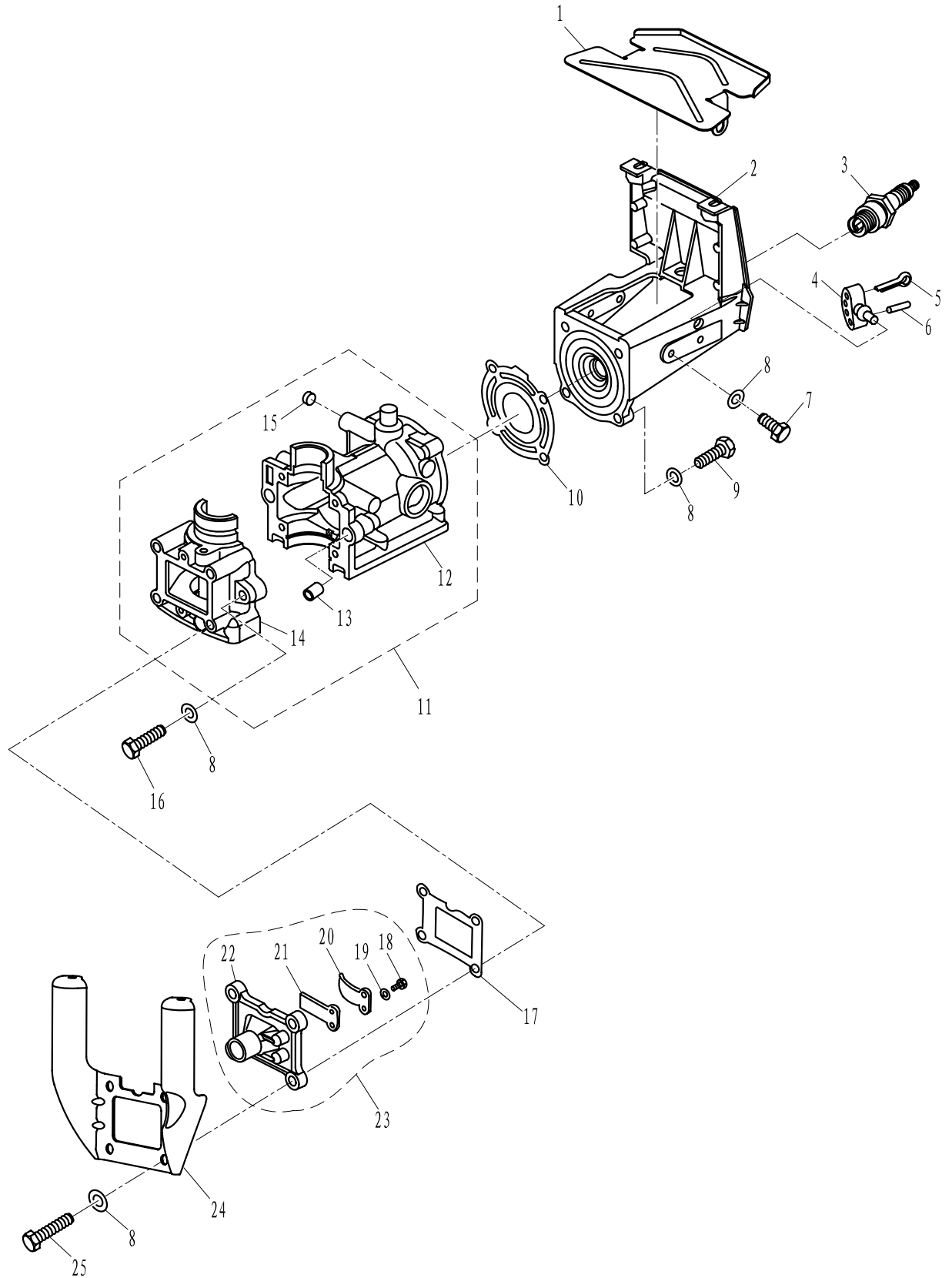
PARTS NAME:

CRANKSHAFT & PISTON



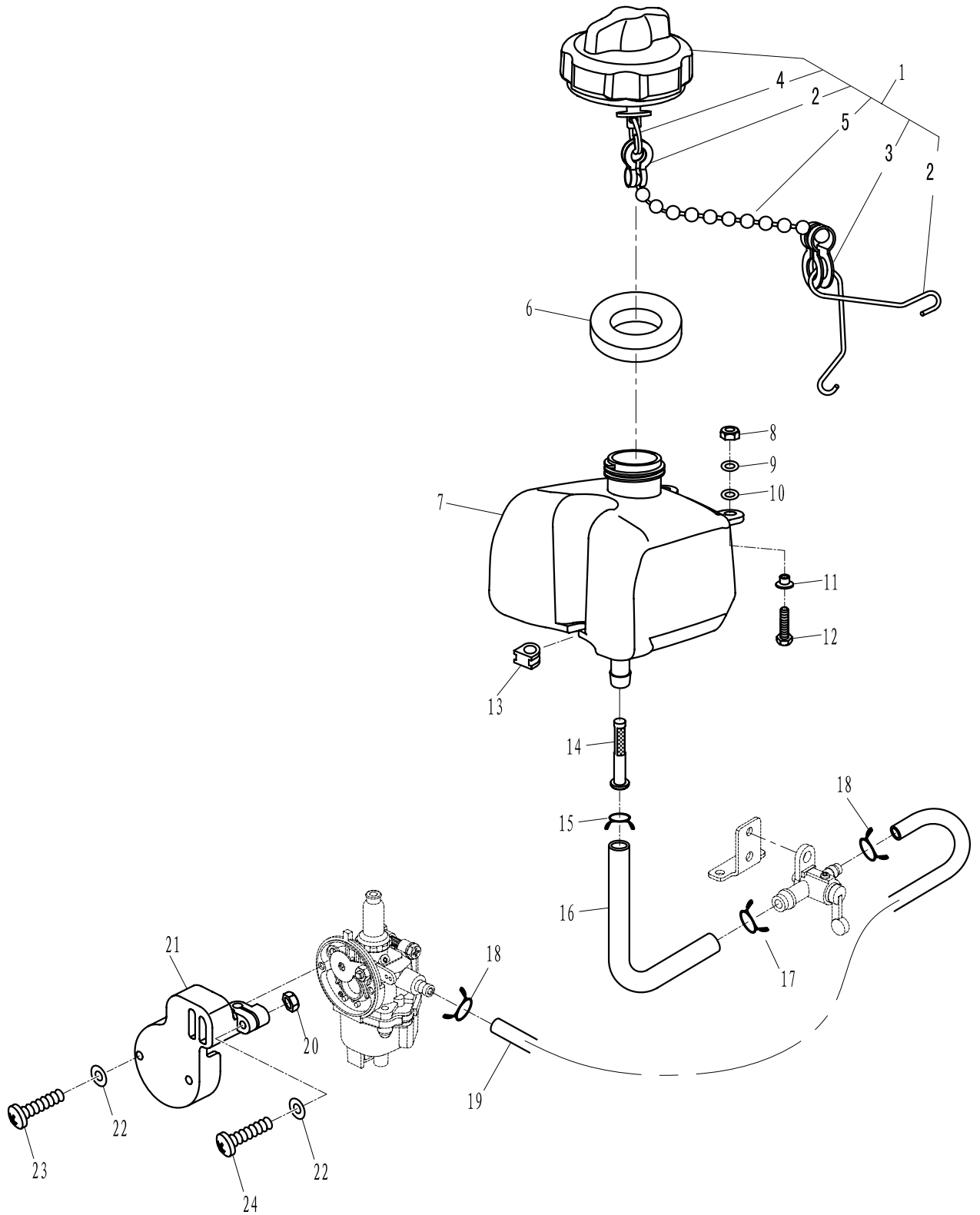
零部件名称: 曲轴箱

PARTS NAME: CRANKCASE



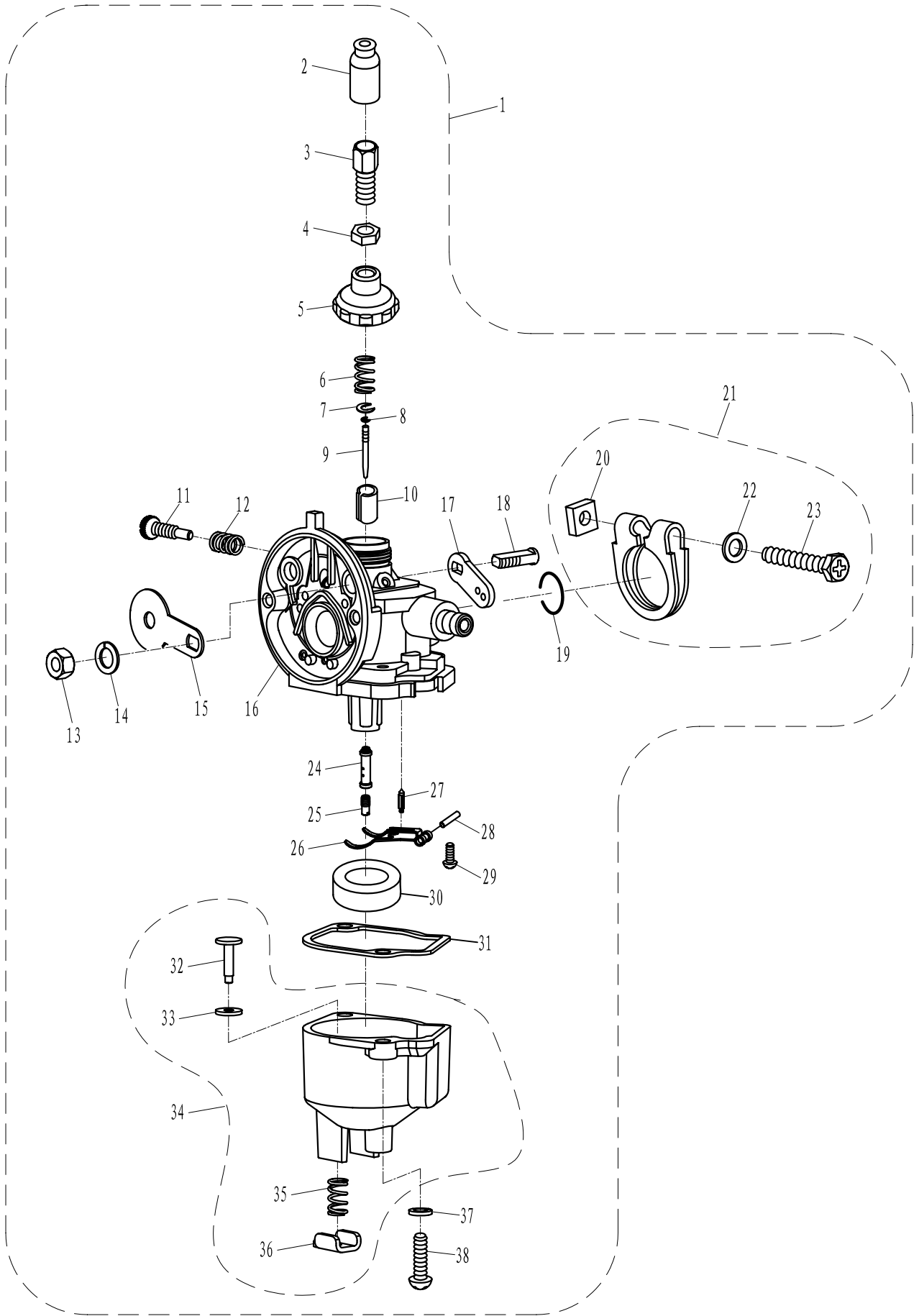
零部件名称: 燃油系统

PARTS NAME: FUEL SYSTEM



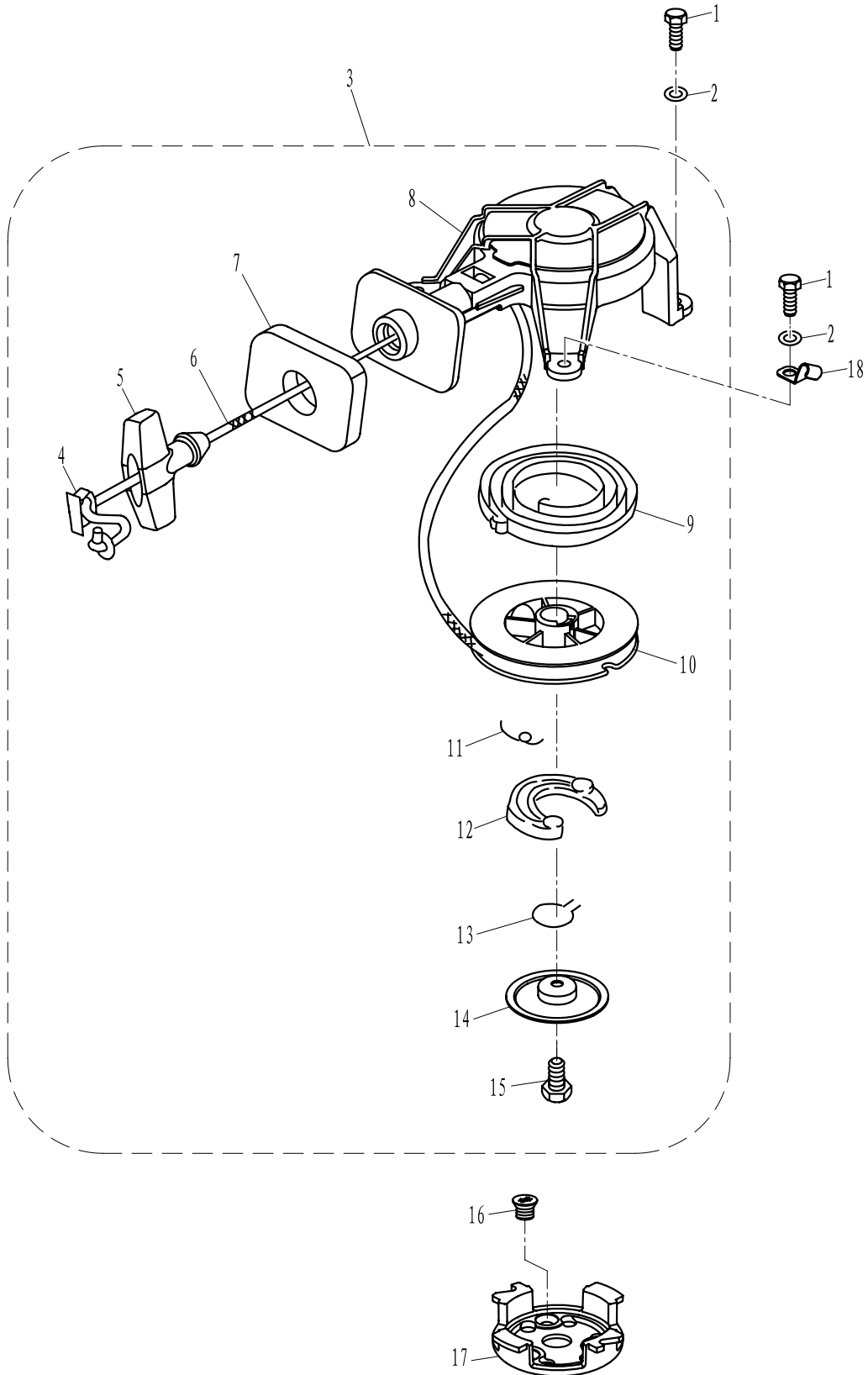
零部件名称: 化油器总成

PARTS NAME: CARBURETOR ASSY



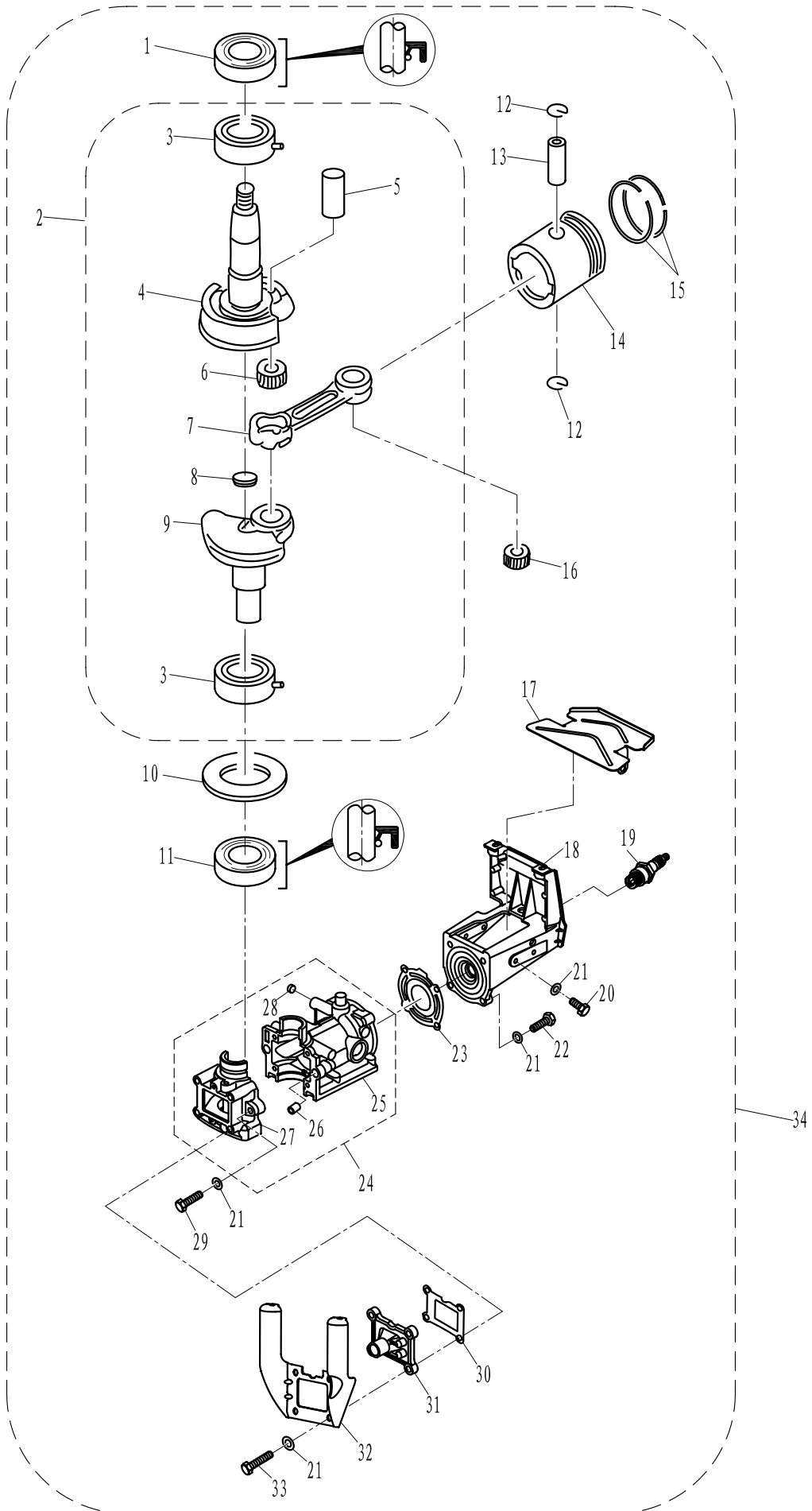
零部件名称: 启动器组件

PARTS NAME: STARTER ASSY



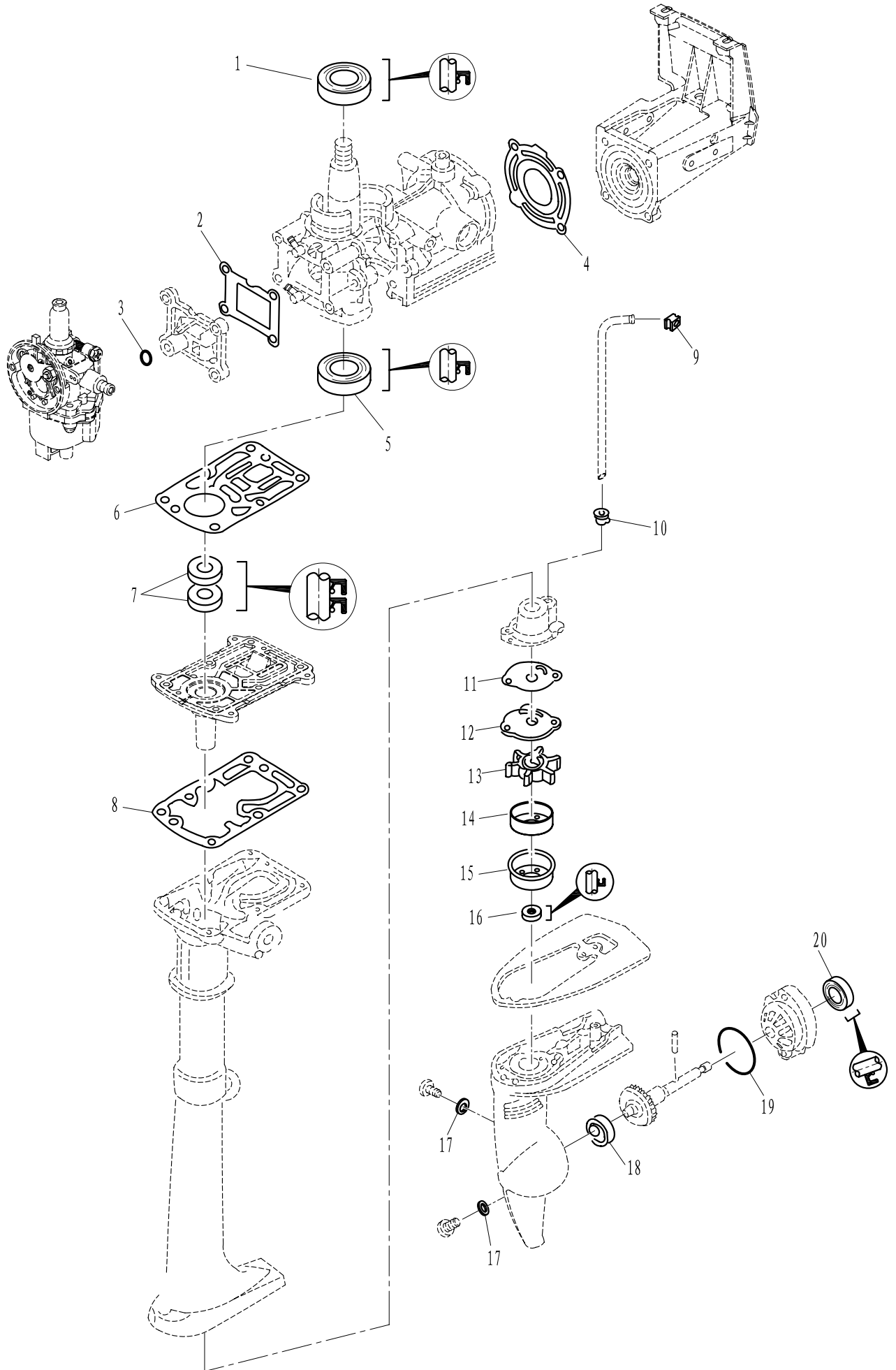
零部件名称: 发动机总成 (维修件)

PARTS NAME: ENGINE ASSY (REPAIR KIT)



零部件名称: 附件 (修理件)

PARTS NAME: APPENDIX (REPAIR KIT)



零部件名称:

零件目录检索表

PARTS NAME:

PARTS CATALOGUE INDEX

零件代号 PART NO.	页码/序号 PAGE/NO.	零件代号 PART NO.	页码/序号 PAGE/NO.	零件代号 PART NO.	页码/序号 PAGE/NO.
BPR7HS	15-3	T2-01000100	2-12	T2-04000021	11-18
F2.6-01000002	2-29	T2-01000301B	4-19	T2-04000022C	17-16
F2.6-01050002	2-10	T2-01000500B	4-23	T2-04000023C	17-19
F2.6-01050100	2-9	T2-01000502B	4-22	T2-04000100	15-23
F2.6-01050101	2-8	T2-01000503B	4-21	T2-04000101	15-22
F2.6-03000012	8-3	T2-01000600B	4-20	T2-04000102	15-21
F2.6-03000013	8-2	T2-01010000	2-28	T2-04000103	15-20
F2.6-03000017	8-27	T2-01020000	2-21	T2-04000200C	17-7
F2.6-04000030	17-17	T2-01020002	2-22	T2-04000201	17-11
F2.6-04010001	13-1	T2-01020003	2-16	T2-04000400C	19-1
F2.6-04060002	4-3	T2-02000001	4-6	T2-04000401	19-19
F4-01000002	2-18	T2-02000002	9-44	T2-04000402	19-16
F4-01010002	2-26	T2-02000003	4-13	T2-04000404	19-15
F4-01010003	2-27	T2-02000004	4-12	T2-04000407	19-11
F4-01010004	2-25	T2-03000000	8-42	T2-04000408	19-12
F4-01010005	2-24	T2-03000002	8-16	T2-04000409	19-21
F4-01060002	2-7	T2-03000003	8-15	T2-04000410	19-20
F4-01090400	6-7	T2-03000004	8-14	T2-04000411	19-24
F4-01090401	6-6	T2-03000005	8-29	T2-04000412	19-25
F4-02000011	6-16	T2-03000006	8-10	T2-04000413	19-27
F4-03000022	8-24	T2-03000007	8-11	T2-04000414	19-26
F4-03000023	8-19	T2-03000008	8-1	T2-04000415	19-28
F4-03000024	8-20	T2-03000009	8-6	T2-04000416	19-30
F4-04000003	15-13	T2-03000010	8-7	T2-04000417	19-31
F4-04000026	11-1	T2-03000011	8-43	T2-04000418	19-34
F4-04000030	17-18	T2-03000013	8-26	T2-04000419	19-32
F4-04120005	17-14	T2-03000014	8-33	T2-04000420	19-33
F4-04120100	17-1		15-6	T2-04000421	19-35
F4-04120103	17-2	T2-03000015	8-40	T2-04000422	19-36
F4-04120104	17-5	T2-03000016	8-8	T2-04000423	19-10
F4-04120105	17-3	T2-03000018	8-12	T2-04000424	19-9
F4-04120106	17-4	T2-03000019	8-18	T2-04000425	19-8
F4-04130101	21-5	T2-03000100	8-9	T2-04000426	19-7
F4-04130102	21-4	T2-03000200	8-30	T2-04000427	19-6
F4-05000010	17-15	T2-03000201	8-31	T2-04000428	19-5
F4-05000020	6-5	T2-03000202	8-32	T2-04000429A	4-24
F4-05000023	6-2	T2-03000300	8-38	T2-04000600C	21-3
F8-05000022	15-9	T2-03000301	8-35	T2-04000601C	21-8
T2-00000001	8-17	T2-03000302	8-36	T2-04000602	21-9
T2-00000002	8-13	T2-03000303	8-37	T2-04000603	21-10
T2-00000003	4-1	T2-04000001	15-10	T2-04000604	21-12
T2-00000004	4-2	T2-04000002C	15-2	T2-04000605	21-11
T2-00000005	4-5	T2-04000003	15-4	T2-04000606	21-14
T2-00000014C	5-2	T2-04000005	15-17	T2-04000607	21-13
T2-00000101C	4-4	T2-04000006	15-24	T2-04000609	21-6
T2-01000001	2-23	T2-04000007	11-8	T2-04000610C	21-7
T2-01000003	2-13	T2-04000008	11-7	T2-04010000	15-11
T2-01000004	2-1	T2-04000010C	21-17	T2-04010100	15-12
T2-01000005	2-2	T2-04000011	17-13	T2-04010201	15-14
T2-01000007	4-15	T2-04000014	15-1	T2-04020001	13-14

零部件名称:

零件目录检索表

PARTS NAME:

PARTS CATALOGUE INDEX

零件代号 PART NO.	页码/序号 PAGE/NO.	零件代号 PART NO.	页码/序号 PAGE/NO.	零件代号 PART NO.	页码/序号 PAGE/NO.
T2-04020002	13-16				
T2-04020003	13-13				
T2-04020004	13-12				
T2-04020007	13-15				
T2-04020100	13-2				
T2-04020101	13-4				
T2-04020102	13-5				
T2-04020103	13-6				
T2-04020104	13-7				
T2-04020105	13-9				
T2-06000001	5-3				
T2-08000000C	6-11				
T2-08000101C	6-14				
T2-08000200C	6-12				
T3.6-02000008	9-45				
T3.6-04000006	11-12				
T3.6-04000008	17-21				
T3.6-04000012	19-2				
T3.6-04000015	21-18				
T3.6-04000016	11-2				
T3.6-04000100	11-6				
T3.6-04000200	11-3				
T3.6-04000300	11-17				
T3.6-04000400	11-14				
T3.6-04000504	19-18				
T3.6-04000505	19-17				
T3.6-04000530	19-4				
T3.6-04000531	19-3				
T3.6-04010001	13-10				
T3.6-04010002	13-11				
T3.6-04020106	13-8				
T3.6-04020107	13-3				
T3.6-05000200	6-1				
T3.6-07000003	5-4				
T3.6-07000004	5-1				
T5-04000015	17-6				
T85-06010002	15-15				