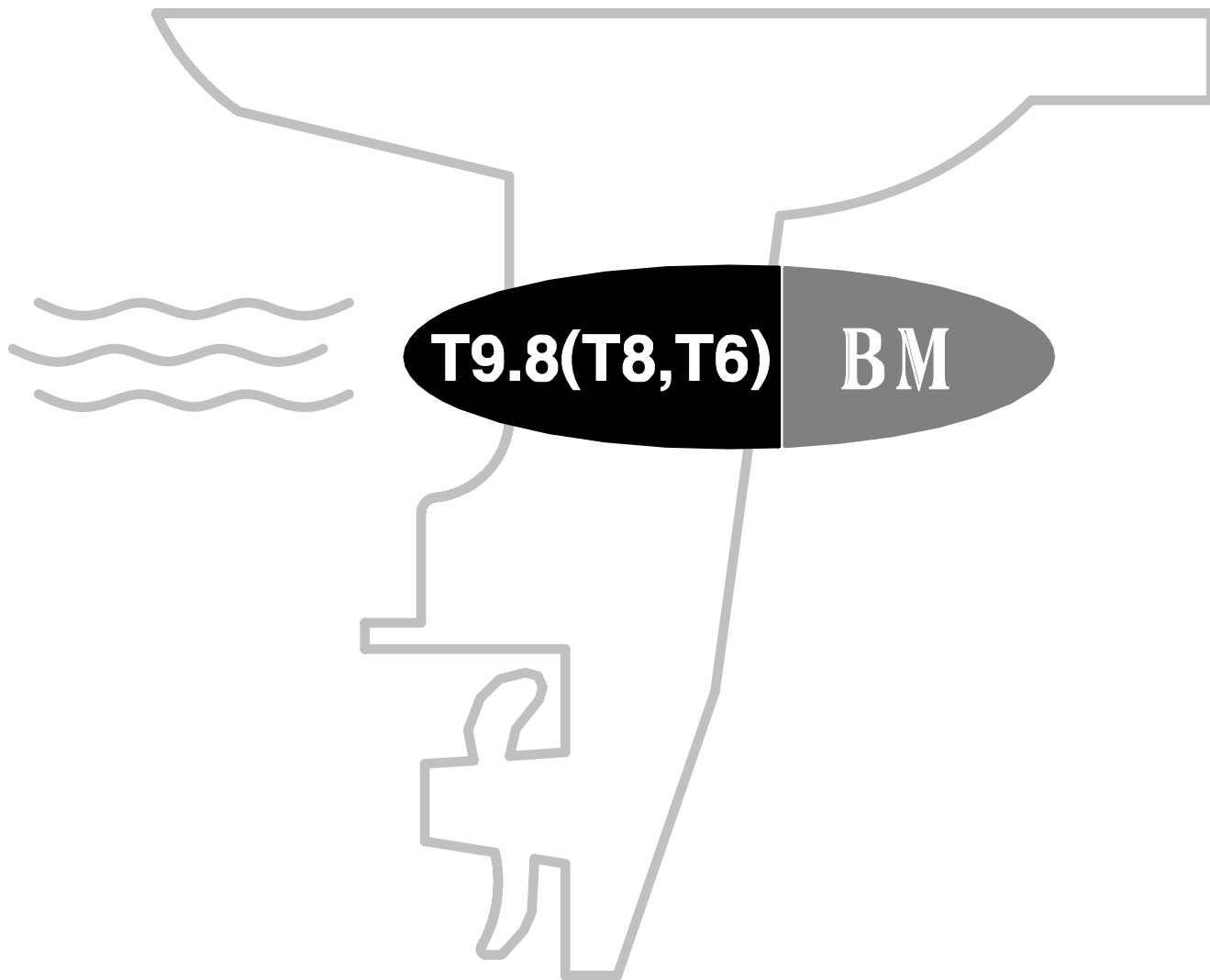


**零件目录**

**PARTS CATALOGUE**



苏州百胜动力机器有限公司

SUZHOU PARSUN POWER MACHINE CO., LTD

# 目次

## CONTENTS

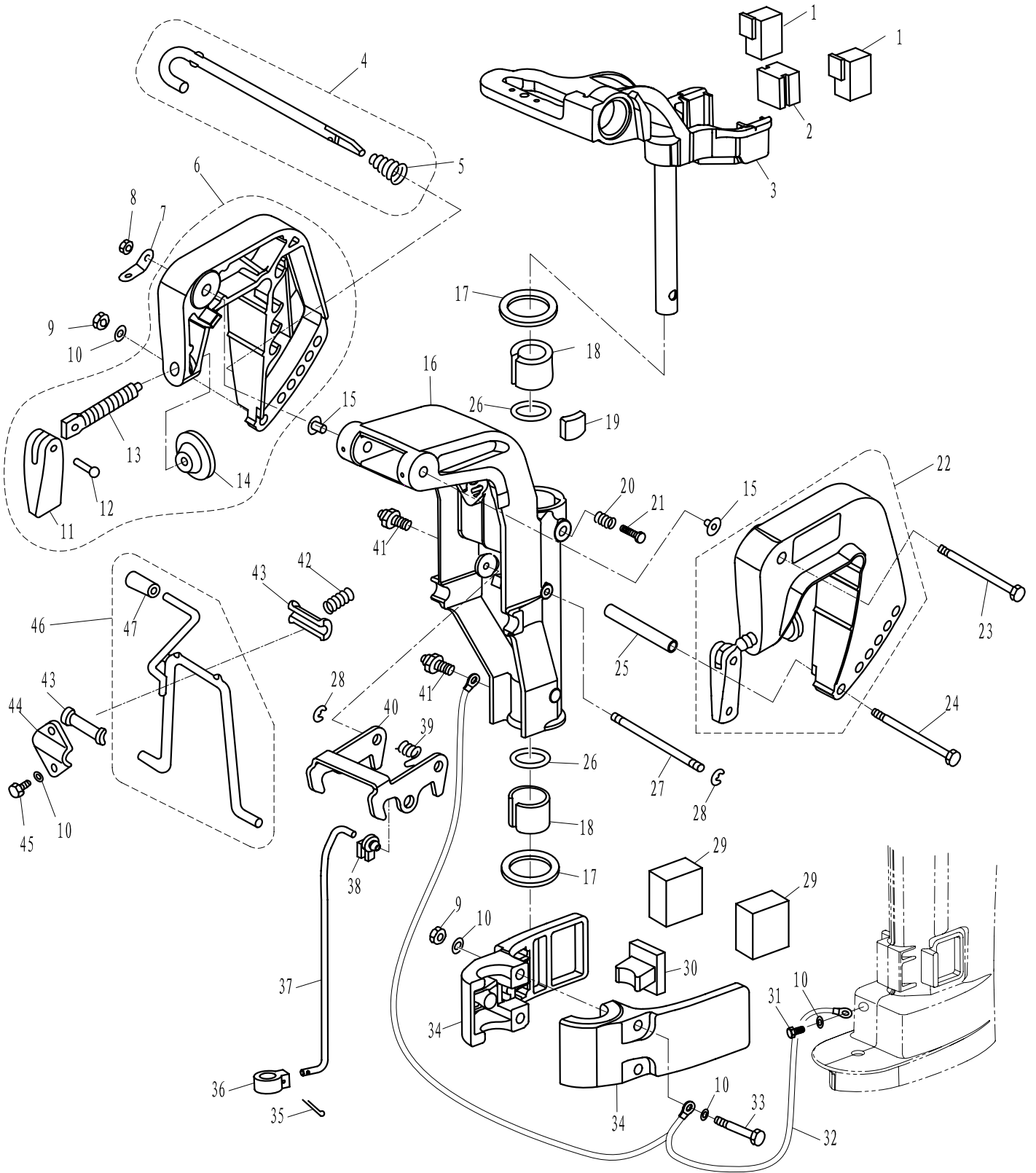
托架 — — — — —	1 ~ 2
BRACKET — — — — —	1 ~ 2
操舵系统 — — — — —	3 ~ 4
STEERING — — — — —	3 ~ 4
水上装置壳体 — — — — —	5 ~ 6
UPPER CASING — — — — —	5 ~ 6
底罩 — — — — —	7 ~ 8
BOTTOM COWLING — — — — —	7 ~ 8
控制系统 — — — — —	9
CONTROL SYSTEM — — — — —	9
水下装置壳体&驱动系统 — — — — —	10 ~ 12
LOWER CASING & DRIVE — — — — —	10 ~ 12
电气系统 — — — — —	13 ~ 14
ELECTRICAL SYSTEM — — — — —	13 ~ 14
进气系统 — — — — —	15
INTAKE SYSTEM — — — — —	15
曲轴&活塞 — — — — —	16 ~ 17
CRANKSHAFT & PISTON — — — — —	16 ~ 17
曲轴箱 — — — — —	18 ~ 19
CRANKCASE — — — — —	18 ~ 19
燃油系统 — — — — —	20 ~ 21
FUEL SYSTEM — — — — —	20 ~ 21
起动机 — — — — —	22 ~ 23
STARTER — — — — —	22 ~ 23
顶罩组件 — — — — —	24 ~ 25
TOP COWLING ASSY— — — — —	24 ~ 25
燃油箱 — — — — —	26
FUEL TANK— — — — —	26
发动机头总成(修理件) — — — — —	I ~ III
CYLINDER HEAD ASSY (REPARE KIT) — — — — —	I ~ III
附录1(修理件) — — — — —	IV ~ V
APPENDIX 1(REPATE KIT) — — — — —	IV ~ V
附录2(修理件) — — — — —	VI ~ VII
APPENDIX 2 (REPARE KIT) — — — — —	VI ~ VII
零件目录检索表 — — — — —	VIII ~ IX
PARTS CATALOGUE INDEX — — — — —	VIII ~ IX

零部件名称:

托架

PARTS NAME:

BRACKET



SN. 参照号码	PART NO. 零件编号	DESCRIPTION 零件名称 (中文)	DESCRIPTION 零件名称 (英文)	QTY 数量					REMARKS 备注
1	T8-0000004	减震块B	ABSORBER B	2					
2	T8-0000005	前减震块B	ABSORBER B (FRONT)	1					
3	T8-0102000	操舵托架组件	STEER BRACKET ASSY	1					
4	F8-01010200	角度调整杆组件	THRUST ROD ASSY	1					
5	F4-01050002	锥形弹簧	CONICAL SPRING	1					

零部件名称:

托架

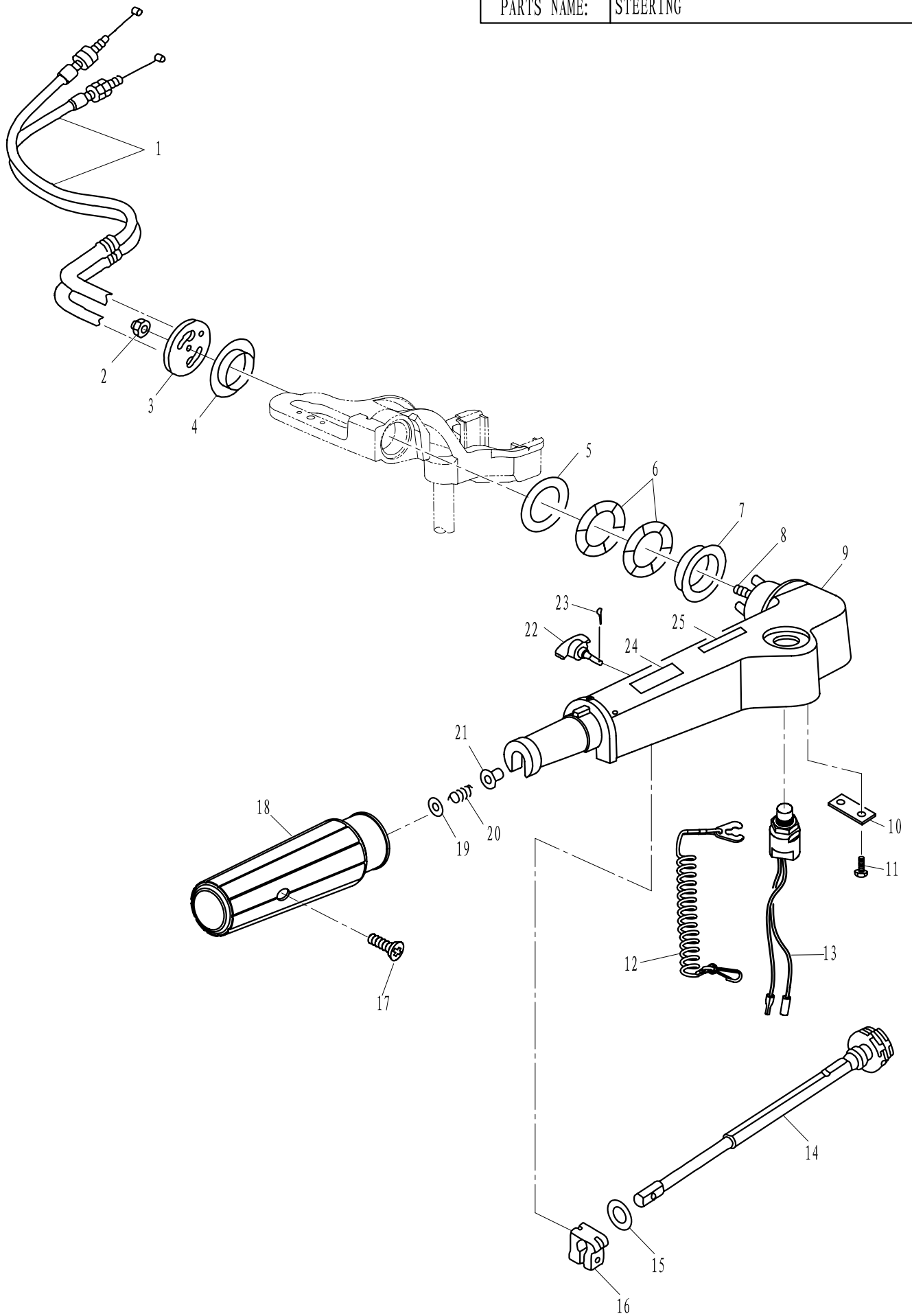
PARTS NAME:

BRACKET

SN. 参照号码	PART NO. 零件编号	DESCRIPTION 零件名称(中文)	DESCRIPTION 零件名称(英文)	QTY 数量					REMARKS 备注
6	T8-01010400	夹紧托架(左)组件	BRACKET ASSY (LEFT)	1					
7	F4-01000002	双孔固定板	PLATE, TWO HOLE	1					
8	GB/T889.1-M8	非金属嵌件六角螺母 M8	NUT M8	1					
9	GB/T6170-M6	六角螺母 M6	NUT M6	3					
10	GB/T97.1-6	平垫圈 6	WASHER 6	8					
11	F4-01010004	舰板夹紧手柄	CLAMP HANDLE, STERN	2					
12	F4-01010005	舰板夹紧手柄铆钉	RIVET, CLAMP HANDLE	2					
13	F4-01010002	舰板夹紧螺杆	CLAMP SCREW	2					
14	F4-01010003	舰板夹紧圆盘	CLAMP PAD	2					
15	F4-01000003	尼龙垫圈	WASHER, NYLON	2					
16	T8-01010101	旋转支架	ROTARY BRACKET	1					
17	T8-01000002	旋转支架垫圈	WASHER, ROTARY BRACKET	2					
18	T8-01000003	旋转支架衬套	BUSHING, ROTARY BRACKET	2					
19	F8-01000100	锁紧块组件	LOCKING BLOCK ASSY	1					
20	F8-01010102	锁紧弹簧	SPRING, LOCKING	1					
21	GB/T5783-M8X30	六角螺栓 M8X30	BOLT M8X30	1					
22	T8-01010300	夹紧托架(右)组件	BRACKET ASSY (RIGHT)	1					
23	GB/T5782-M8X140	六角螺栓 M8X140	BOLT M8X140	1					
24	GB/T5782-M6X130	六角螺栓 M6X130	BOLT M6X130	1					
25	F8-01010001	螺栓垫管	TUBE, BOLT	1					
26	T8-01000001	O型圈 $\phi 19.8 \times \phi 4.2$	O-RING $\phi 19.8 \times \phi 4.2$	2					
27	F8-01010108	旋转支架销轴	SHAFT, ROTARY BRACKET	1					
28	GB/T896-5	开口挡圈 5	CIRCLIP 5	2					
29	T8-00000002	减震块A	ABSORBER A	2					
30	T8-00000003	前减震块A	ABSORBER A (FRONT)	1					
31	GB/T5783-M6x8	六角螺栓 M6x8	BOLT M6x8	1					
32	T15-02010100	接地钢索 B	TIGHTWIRE B	1					
33	GB/T5782-M6x65	六角螺栓 M6x65	BOLT M6x65	2					
34	T8-00000001	减震块外壳	SHELL, ABSORBER	2					
35	GB/T91-2x15	开口销2x15	PIN, COTTER 2x15	1					
36	T8-03000011	锁紧钩连杆支架	BRACKET, CONNECTING ROD	1					
37	T8-03000012	锁紧钩连杆	CONNECTING ROD, LOCKHOOK	1					
38	F8-01010111	内架连杆接头	TIE-IN, CONNCTING ROD	1					
39	F8-01010109	内架扭簧	SPRING, WREST	1					
40	T8-01010106	旋转支架内架	INNER FRAME, ROTARY BRACKET	1					
41	JB/T7940.1-M6	直通式压注油杯 M6	OILER M6	2					
42	F8-01010104	支撑架弹簧	SPRING, SUPPORT	1					
43	F8-01010103	支撑架尼龙衬套	BUSHING	2					
44	F8-01010105	支撑架压板	PRESS PLATE	1					
45	GB/T5783-M6X12	六角螺栓 M6X12	BOLT M6X12	2					
46	F8-01010300	角度定位支撑架组件	SUPPORT ASSY	1					
47	F4-01030103	手柄套	HANDLE COVER	1					

零部件名称: 操舵系统

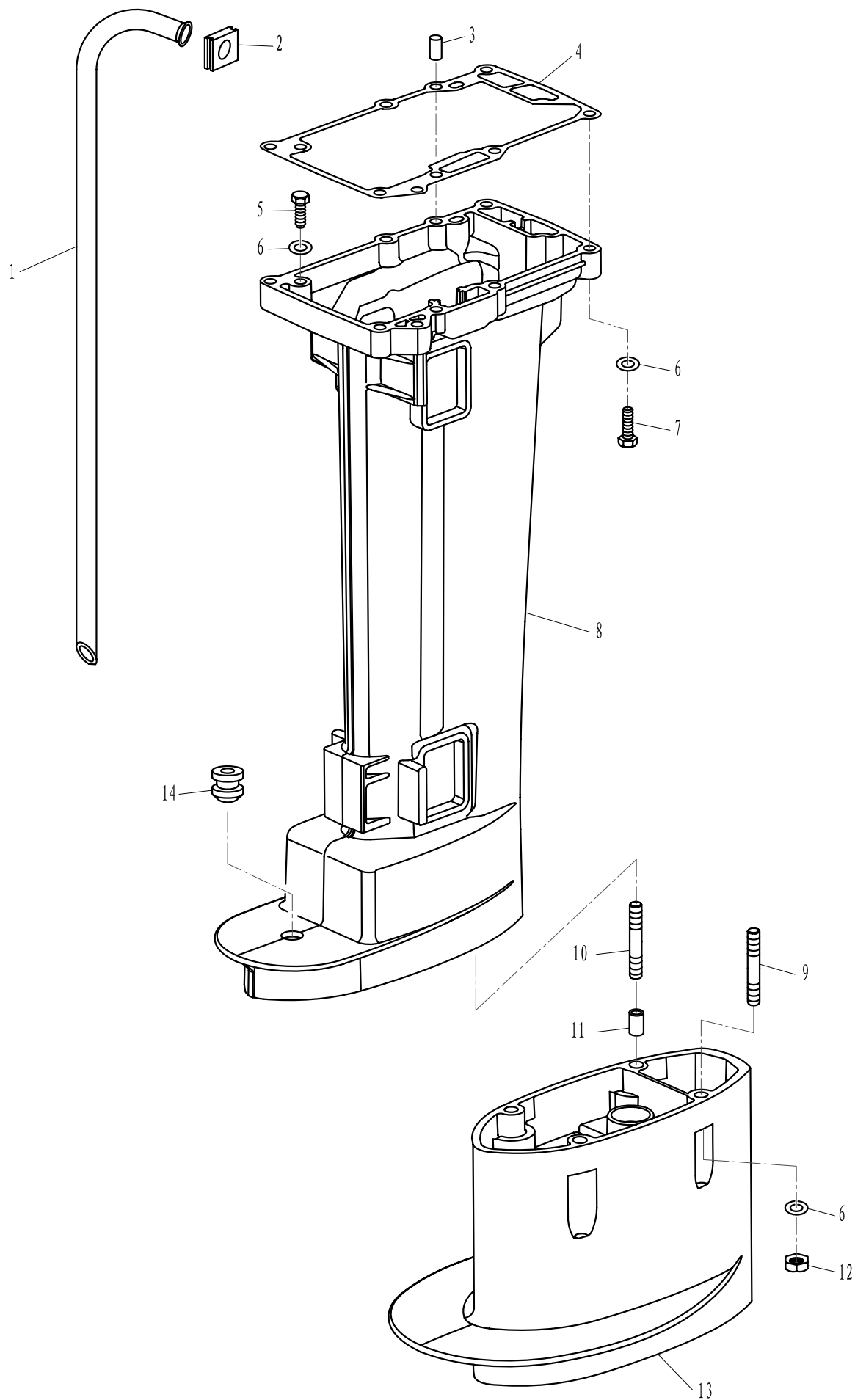
PARTS NAME: STEERING





零部件名称: 水上装置壳体

PARTS NAME: UPPER CASING





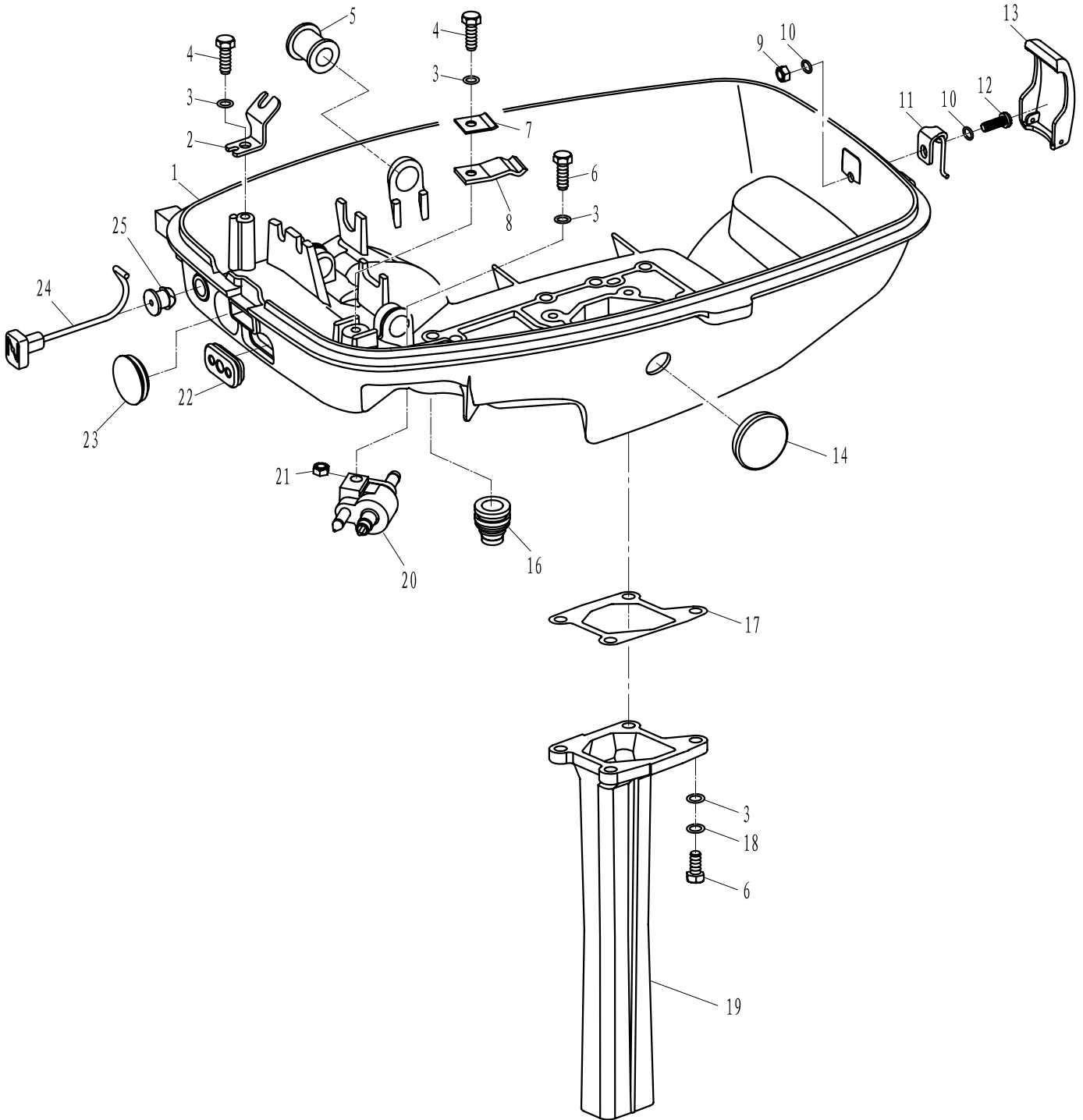


零部件名称:

底罩

PARTS NAME:

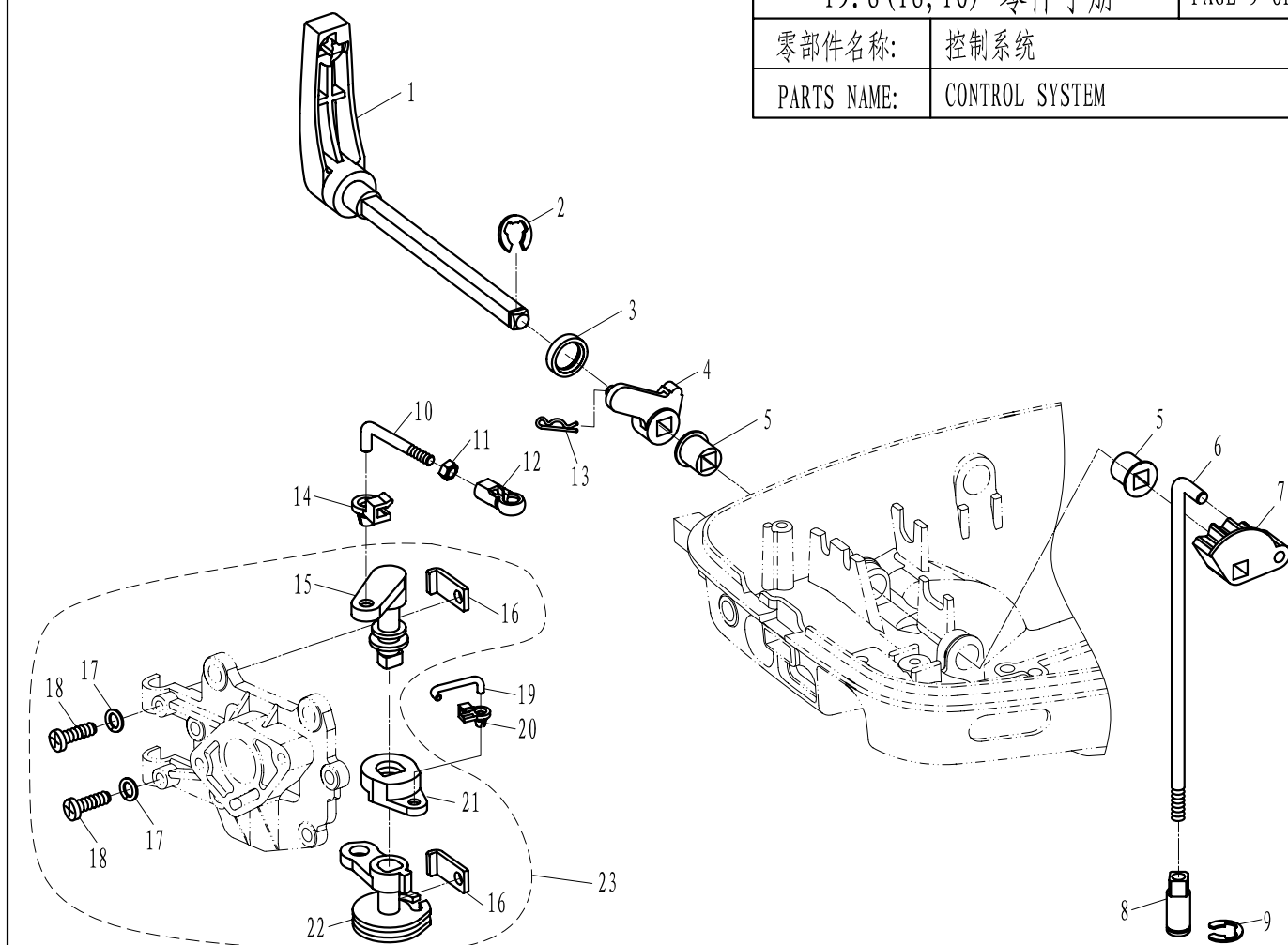
BOTTOM COWLING





零部件名称: 控制系统

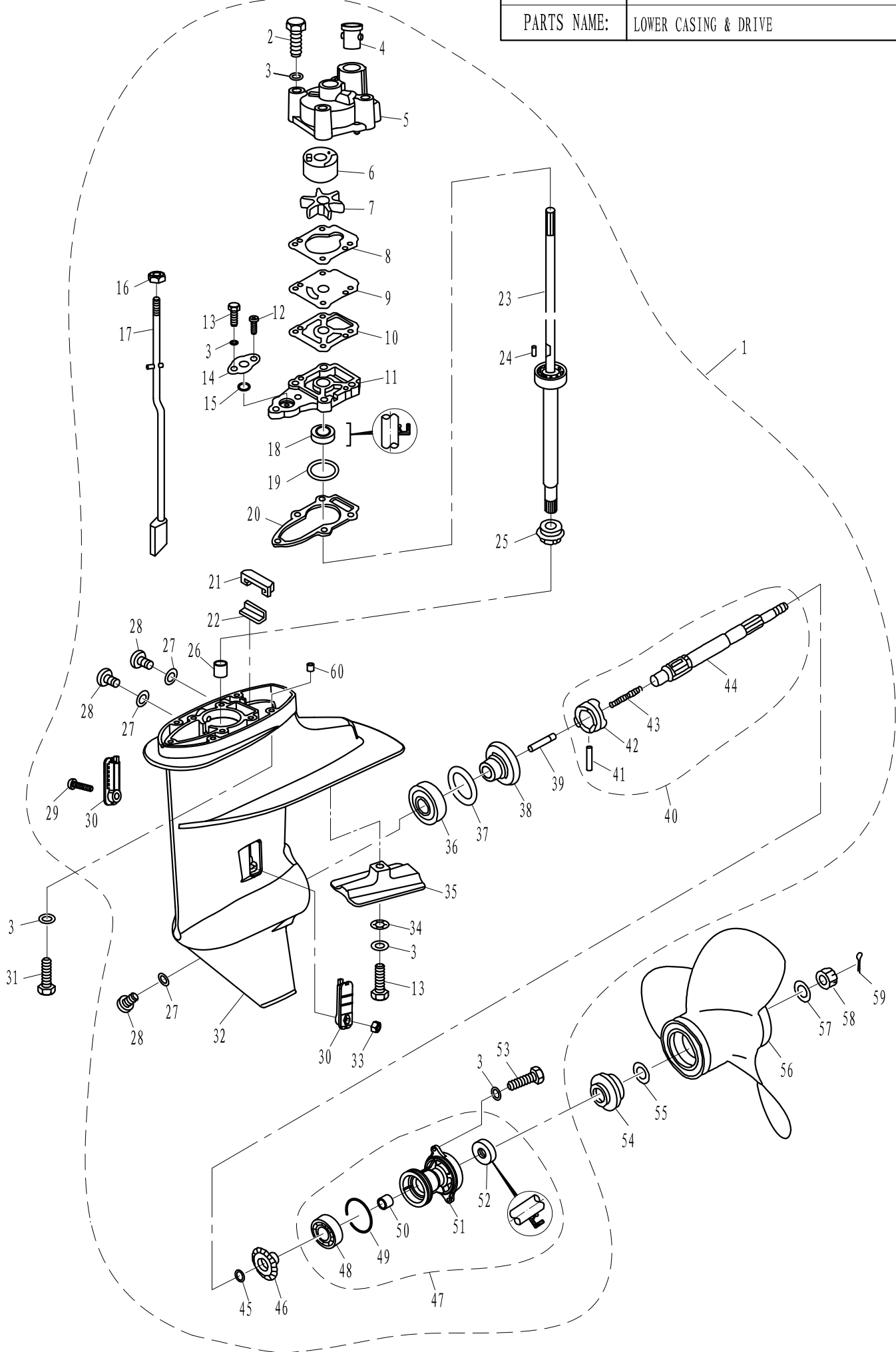
PARTS NAME: CONTROL SYSTEM



SN. 参照号码	PART NO. 零件编号	DESCRIPTION 零件名称(中文)	DESCRIPTION 零件名称(英文)	QTY 数量					REMARKS 备注
1	T8-03010100	变档手柄组件	HANDLE, GEAR SHIFT	1					
2	GB/T896-7	开口挡圈 7	CIRCLIP 7	1					
3	T8-03010001	变档手柄橡胶圈	RUBBER LOOP, HANDLE	1					
4	T8-03010003	制动器摆杆	ROCKER, DETENT	1					
5	T8-03010002	变档手柄衬圈	BUSH, HANDLE	2					
6	T8-03000008	变档连接杆	SHIFT ROD	1					
7	T8-03010006	变档档位块	BLOCK, GEAR SHIFT	1					
8	T8-03000010	变档连接件	JOINING, GEAR SHIFT	1					
9	GB/T896-9	开口挡圈 9	CIRCLIP 9	1					
10	T8-05000010	磁电机线圈连杆	CONNECTING ROD, MAGNETO COIL	1					
11	GB/T6170-M5	六角螺母 M5	NUT 5	1					
12	T15-04040005	触发线圈接头	TIE-IN, COIL	1					
13	F25-05160002	夹簧 $\phi 1$	SPRING $\phi 1$	1					
14	F8-01010111	内架连杆接头	TIE-IN, CONNECTING ROD	1					
15	T8-05000605	磁电机线圈摇臂	ROCKER, MAGNETO COIL	1					
16	T8-05000606	油门控制器固定板	PLATE, ACCELEROGRAPH ENFORCE	2					
17	GB/T93-5	弹性垫圈 5	SPRING WASHER 5	2					
18	GB/T818-M5x20	十字槽盘头螺钉 M5x20	BOLT M5x20	2					
19	T8-05000604	油门控制器连杆	LINK, ACCELEROGRAPH CONTROL	1					
20	T8-05000022	油门控制器连杆接头	TIE-IN, LINK	1					
21	T8-05000603	油门执行器摇臂	ROCKER, ACCELEROGRAPH ENFORCE	1					
22	T8-05000602	油门执行器主动滑轮	MAIN PULLEY	1					
23	T8-05000600	进气歧管组件	INTAKE MAINFOLD ASSY	1					

零部件名称: 水下装置壳体&驱动系统

PARTS NAME: LOWER CASING & DRIVE



零部件名称:

水下装置壳体&amp;驱动系统

PARTS NAME:

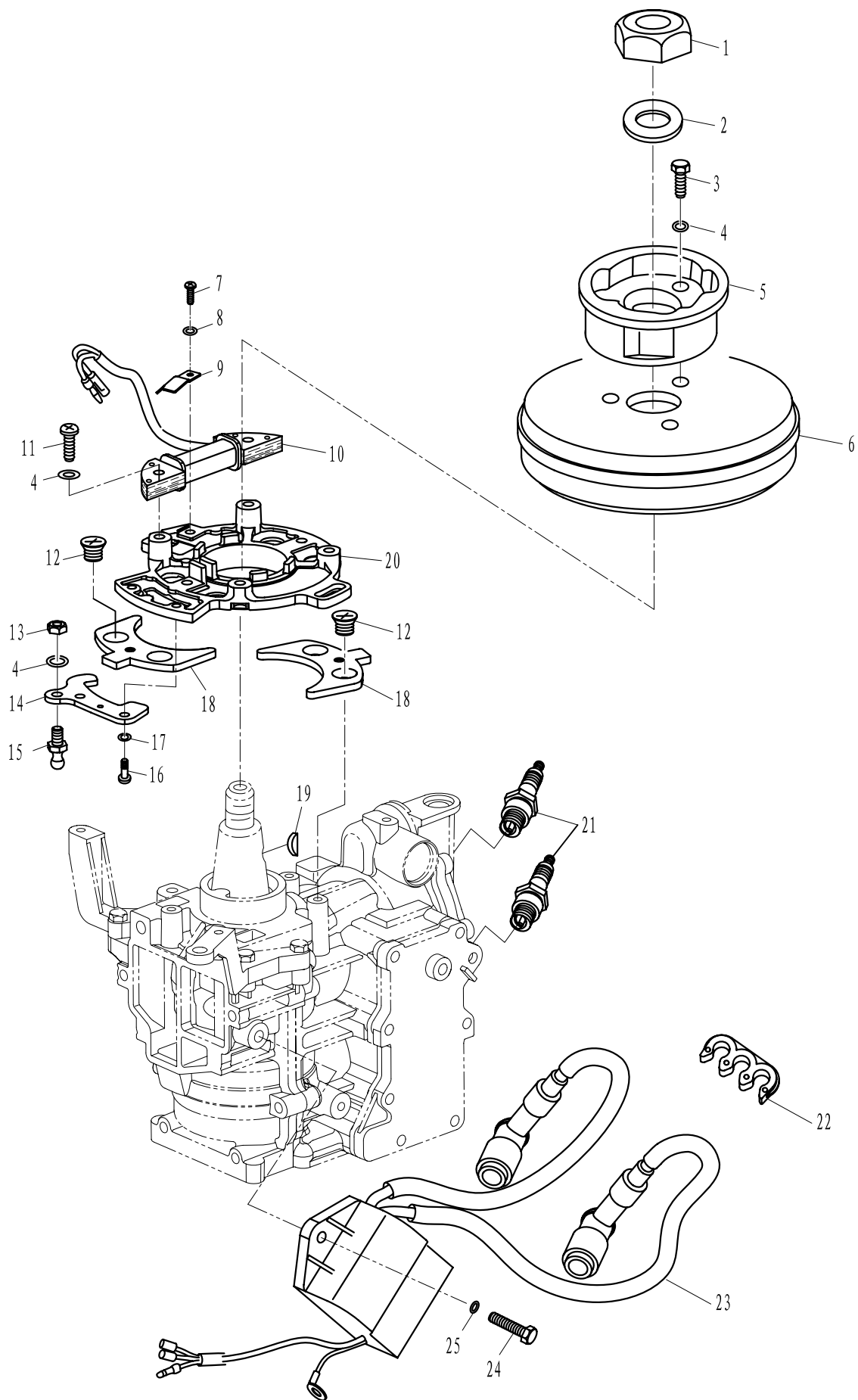
LOWER CASING &amp; DRIVE

SN. 参照号码	PART NO. 零件编号	DESCRIPTION 零件名称(中文)	DESCRIPTION 零件名称(英文)	QTY 数量				REMARKS 备注
1	T8-0400000L	水下装置壳体总成(L)	LOWER CASING ASSY(L)	1				L
	T8-0400000S	水下装置壳体总成(S)	LOWER CASING ASSY(S)	1				S
2	GB/T5783-M6x50	六角螺栓 M6x50	BOLT, HEXAGON M6x50	4				
3	GB/T97.1-6	平垫圈 6	WASHER 6	11				
4	F8-04000013	水管导向套	SEAL	1				
5	F8-04000009	水泵壳体	WATER PUMP	1				
6	F8-04000010	水泵内壳	INNER SHELL, WATER PUMP	1				
7	F8-04000200	水泵叶轮	IMPELLER	1				
8	F8-04000008	外挡板上密封垫	GASKET, OUTER PLATE	1				
9	F8-04000007	外挡板	OUTER PLATE	1				
10	F8-04000006	外挡板下密封垫	GASKET, OUTER PLATE	1				
11	F8-04000102	水泵座	WATER PPUMP SEAT	1				
12	GB/T818-M5x6	十字槽盘头螺钉 M5x6	SCREW M5x6	1				
13	GB/T5783-M6x25	六角螺栓 M6x25	BOLT M6x25	2				
14	F8-04000011	O形圈挡板	PLATE, O-RING	1				
15	F2.6-03000009	O形密封圈	O-RING	1				
16	GB/T6172.1-M5	六角薄螺母 M5	NUT M5	1				
17	T8-04010000(L)	变档凸轮轴组件(L)	CAM ASSY, SHIFT ROD(L)	1				L
	T8-04010000(S)	变档凸轮轴组件(S)	CAM ASSY, SHIFT ROD(S)	1				S
18	F8-04000101	水泵座油封 12.1x24x8	OIL SEAL	1				
19	F8-04000004-1	驱动轴填隙片 0.10mm	SHIM 0.10mm					
	F8-04000004-2	驱动轴填隙片 0.15mm	SHIM 0.15mm					
	F8-04000004-3	驱动轴填隙片 0.20mm	SHIM 0.20mm					
20	F8-04000005	水泵座密封垫	GASKET, WATER PUMP SEAT	1				
21	F8-04000016	水封密封垫	GASKET, WATER SEAL	1				
22	F8-04000015	水封	WATER SEAL	1				
23	F8-04020001(L)	驱动轴组件(L)	DRIVE SHAFT ASSY(L)	1				L
	F8-04020001(S)	驱动轴组件(S)	DRIVE SHAFT ASSY(S)	1				S
24	F8-04000021	叶轮定位销	PIN, DOWER	1				
25	F8-04000003	小齿轮	PINION	1				
26	NSK FJ-1516	滚针轴承	BEARING	1				
27	F4-03000024	注油孔螺栓密封垫	GASKET	3				
28	F4-03000023	注油孔螺栓	PLUG, OIL HOSE	3				
29	GB/T823-M4x25	十字槽小盘头螺钉 M4x25	SCREW M4x25	1				
30	F8-04000017	进水口	WATER INLET	2				
31	GB/T5783-M6x35	六角螺栓 M6x35	BOLT, HEXAGON M6x35	4				
32	F8-04000001	水下装置壳体	LOWER CASING	1				
33	GB/T889.1-M4	六角锁紧螺母 M4	NUT M4	1				
34	GB/T861.1-6	内齿锁紧垫圈6	LOCK WASHER 6	1				
35	F8-04000018	水下阳极	ANODE	1				
36	GB/T276-6204	深沟球轴承 6204	BEARING 6204	1				
37	F8-04000002-1	正档齿轮填隙片 0.10mm	SHIM 0.10mm					
	F8-04000002-2	正档齿轮填隙片 0.15mm	SHIM 0.15mm					



零部件名称: 电气系统

PARTS NAME: ELECTRICAL SYSTEM

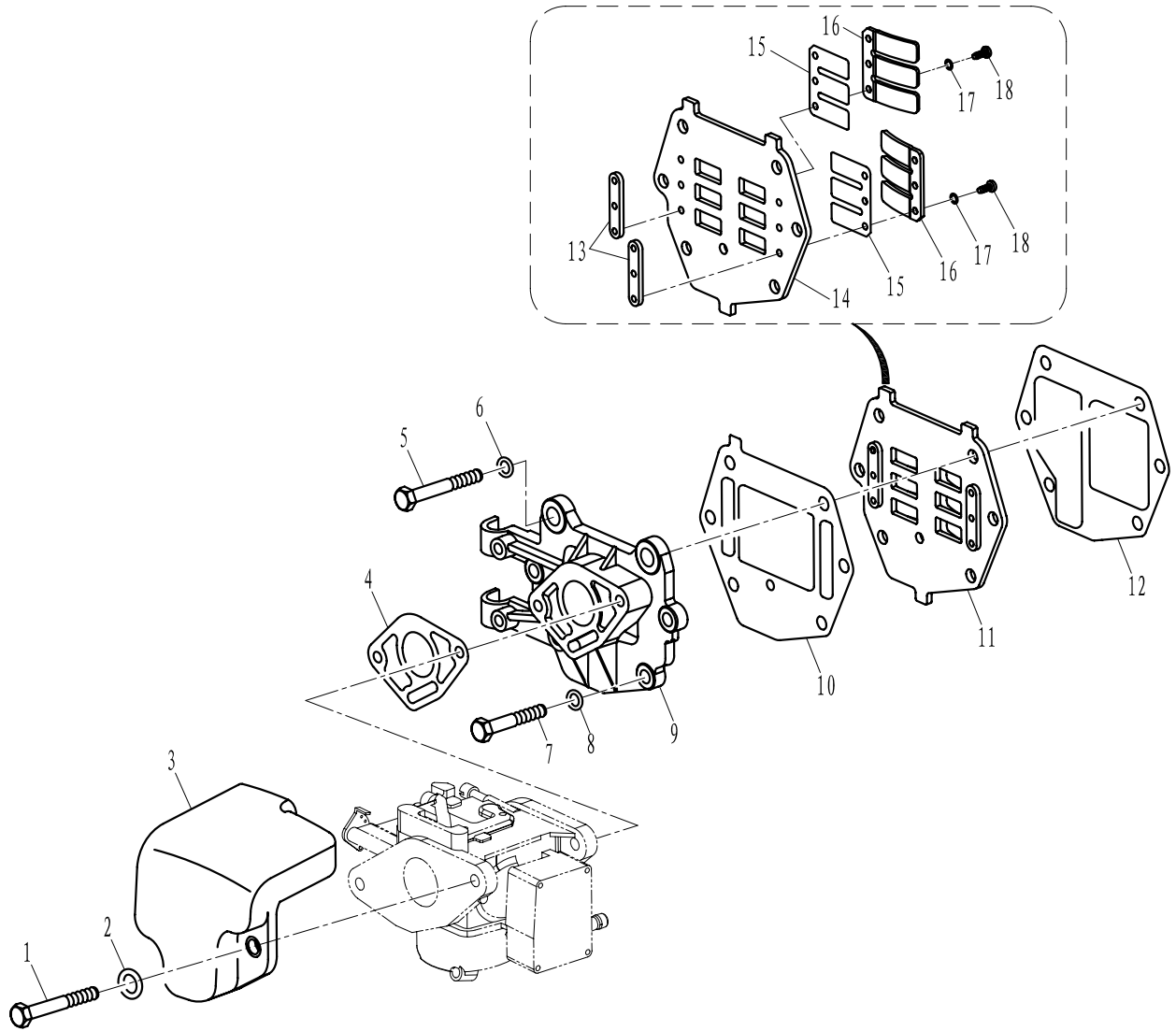






零部件名称: 进气系统

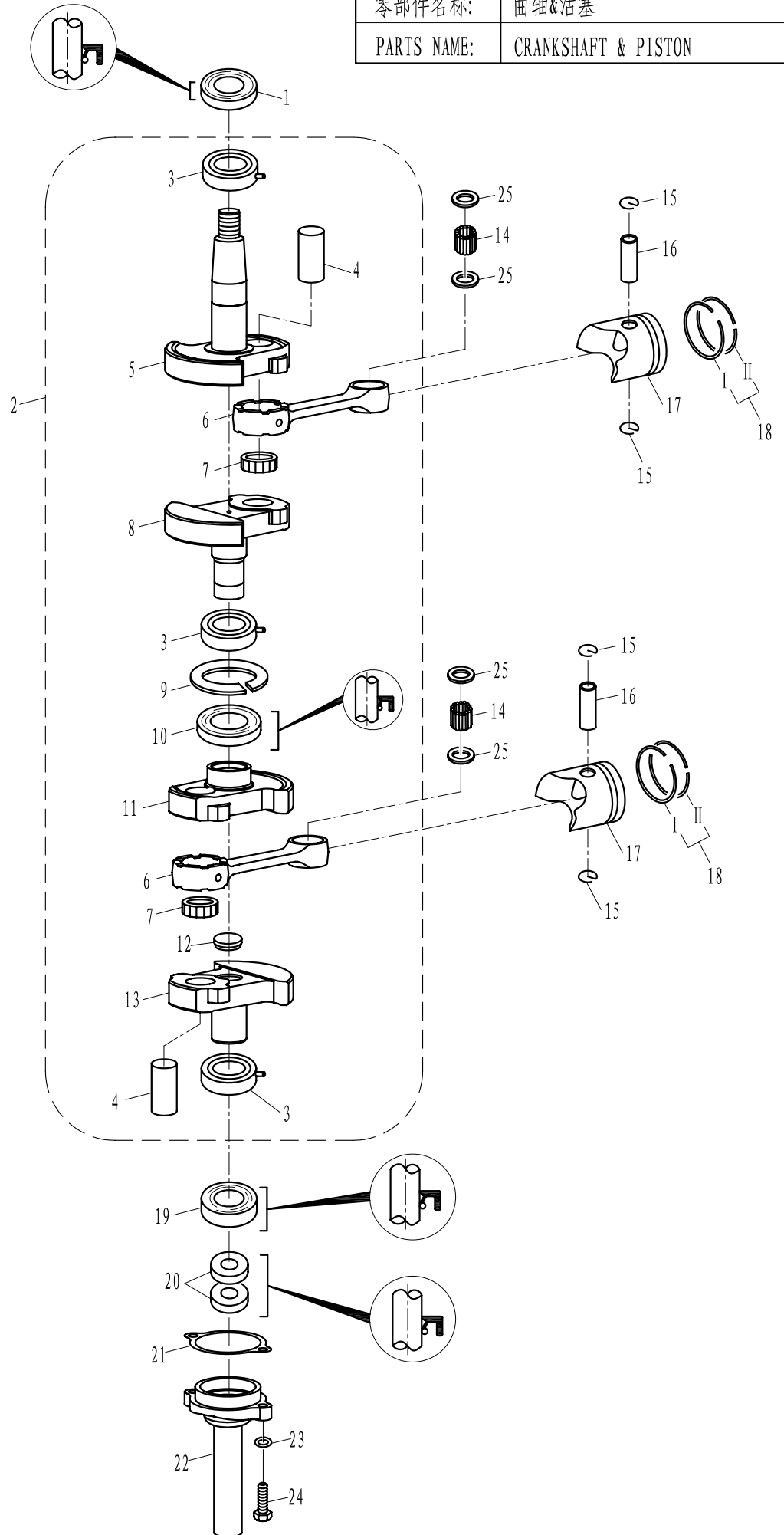
PARTS NAME: INTAKE SYSTEM



SN. 参照号码	PART NO. 零件编号	DESCRIPTION 零件名称(中文)	DESCRIPTION 零件名称(英文)	QTY 数量				REMARKS 备注
1	GB/T5783-M6x85	六角螺栓 M6x85	BOLT M6x85	2				
2	GB/T96-6	大垫圈 6	BIG WASHER 6	2				
3	T8-05000900	进气消音器	SILENCER	1				
4	T8-05000012	化油器密封垫	GASKET, CARBURETOR	1				
5	F25-05000035	六角螺栓 M8x80	BOLT M8x80	2				
6	GB/T97.1-8	平垫圈 8	WASHER 8	2				
7	T8-05000020	六角螺栓 M6x75	BOLT M6x75	4				
8	GB/T97.1-6	平垫圈 6	WASHER 6	4				
9	T8-05000601	进气歧管	MANIFOLD, INTAKE	1				
10	T8-05000009	进气阀座密封垫A	GASKET A, INTAKE VALVE SEATING	1				
11	T8-05000500	进气阀座组件	VALVE SEATING ASSY, INTAKE	1				
12	T8-05000014	进气阀座密封垫B	GASKET B, INTAKE VALVE SEATING	1				
13	T8-05000504	阀片固定板	FIXED PLATE, VALVE	2				
14	T8-05000501	进气阀座	VALVE SEATING, INTAKE	1				
15	T8-05000502	进气阀片	VALVE, INTAKE	2				
16	T8-05000503	阀片限位板	LIMITATIVE PLATE, VALVE	2				
17	GB/T93-3	弹性垫圈 3	SPRING-WASHER 3	6				
18	GB/T818-M3x8	十字槽盘头螺钉 M3x8	BOLT M3x8	6				

零部件名称: 曲轴&活塞

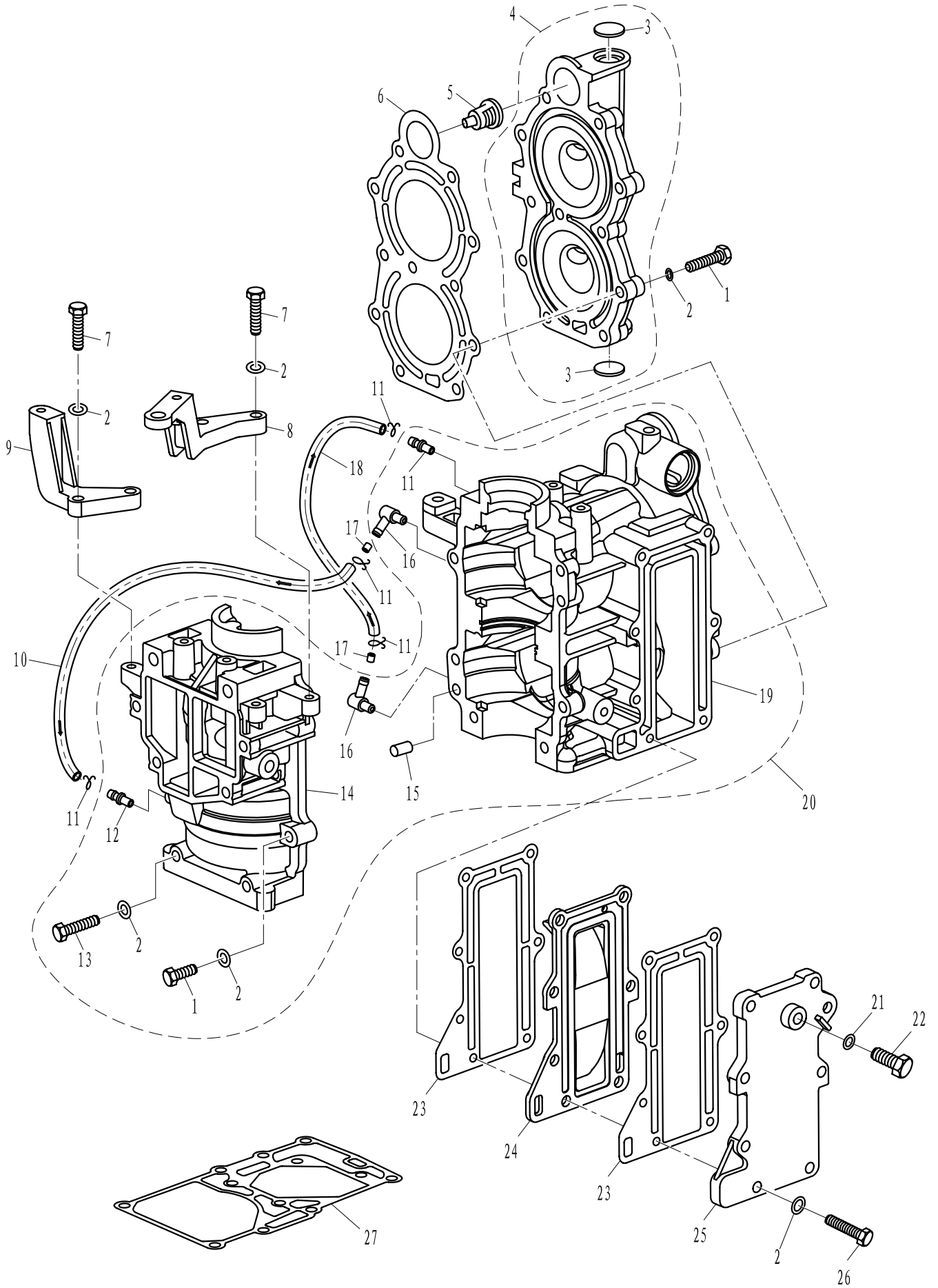
PARTS NAME: CRANKSHAFT & PISTON





零部件名称: 曲轴箱

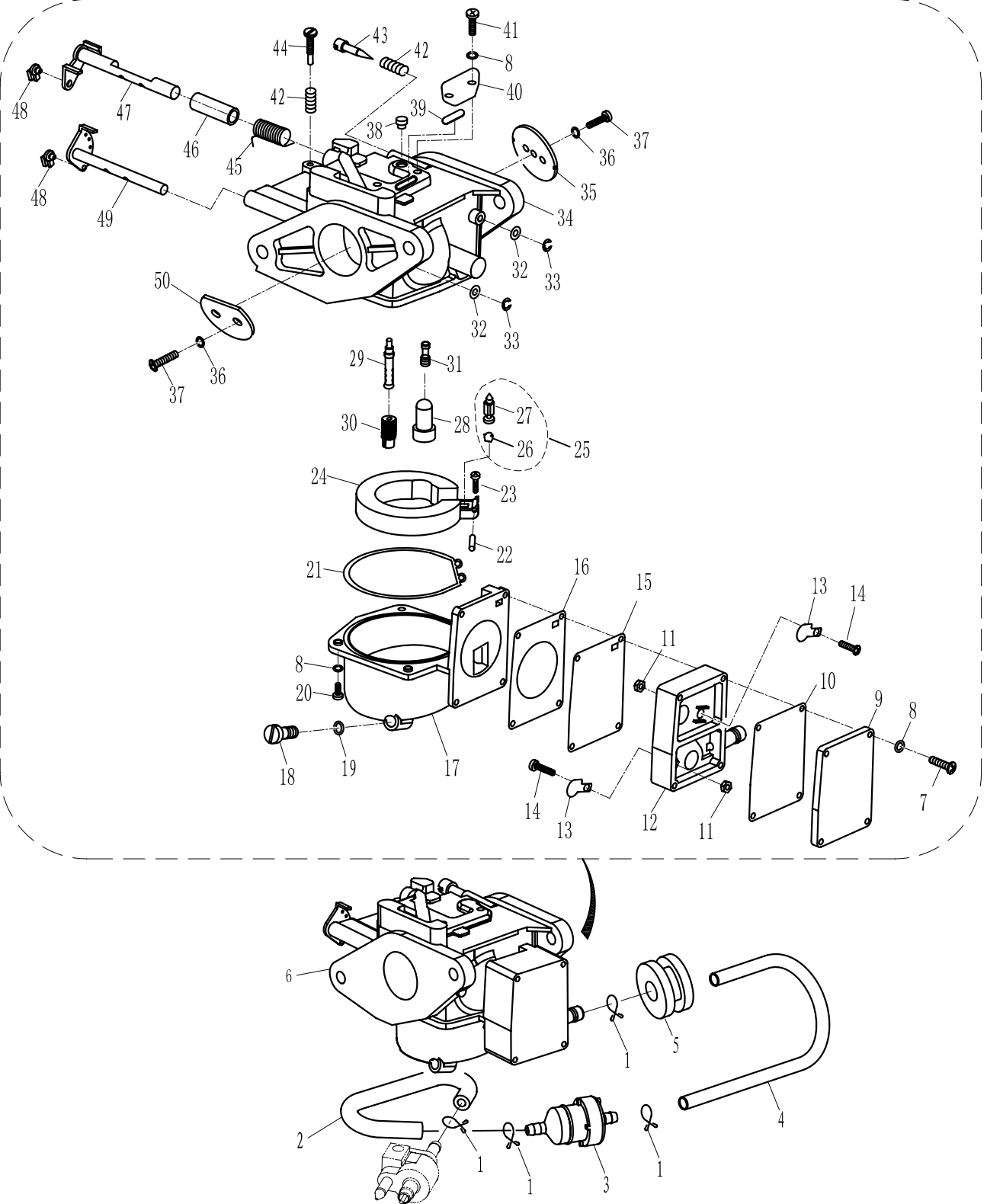
PARTS NAME: CRANKCASE





零部件名称: 燃油系统

PARTS NAME: FUEL SYSTEM



SN. 参照号码	PART NO. 零件编号	DESCRIPTION 零件名称 (中文)	DESCRIPTION 零件名称 (英文)	QTY 数量					REMARKS 备注
1	F4-04000030	油管夹簧 B	CLIP SPRING B, OIL PIPE	4					
2	T8-03000003	燃油定型管B	OIL PIPE B	1					
3	F4-05000300	燃油过滤器组件	FILTER ASSY	1					
4	T8-03000002	燃油定型管	OIL PIPE	1					
5	T8-03000004	油管减震圈	ABSORBER, OIL PIPE	1					
6	T8-05000800	化油器总成	CARBURETOR ASSY	1					
7	GB/T818-M4x22	十字槽盘头螺钉M4x22	SCREW M4x22	4					

零部件名称:

燃油系统

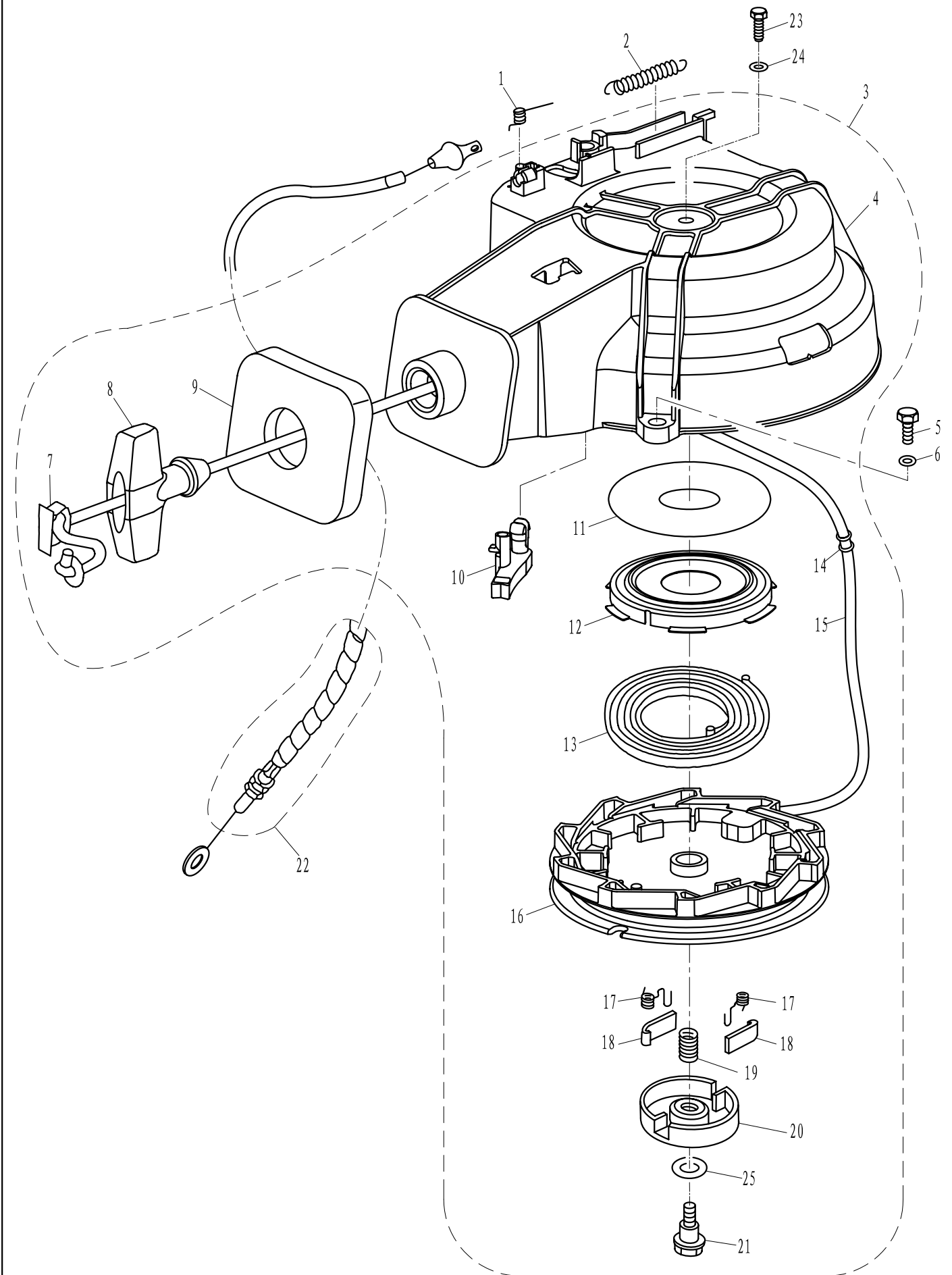
PARTS NAME:

FUEL SYSTEM

SN. 参照号码	PART NO. 零件编号	DESCRIPTION 零件名称(中文)	DESCRIPTION 零件名称(英文)	QTY 数量					REMARKS 备注
8	GB/T93-4	弹性垫圈 4	SPRING-WASHER 4	10					
9	T8-05000834	燃油泵盖	COVER, FUEL PUMP	1					
10	T8-05000833	燃油泵盖密封垫	GASKET, FUEL PUMP COVER	1					
11	GB/T6170-M3	六角螺母 M3	NUT M3	2					
12	T8-05000830	燃油泵壳	FUEL PUMP SHELL	1					
13	F4-04090005	单向阀片	CHECK VALVE	2					
14	F4-04090011	阀片螺钉	SCREW M3x5	2					
15	T8-05000826	燃油泵隔膜	DIAPHRAGM, FUEL PUMP	1					
16	T8-05000829	燃油泵壳密封垫	GASKET, FUEL PUMP	1					
17	T8-05000823	油杯本体	OIL CUP	1					
18	T8-05000824	放油螺塞	DRAIN SCREW	1					
19	T8-05000825	放油螺塞垫片	GASKET	1					
20	GB/T818-M4x14	十字槽盘头螺钉M4x14	BOLT M4x14	4					
21	T8-05000822	油杯本体密封垫	GASKET, OIL CUP	1					
22	T8-05000821	浮子销	PIN, FLOAT	1					
23	GB/T818-M4x6	十字槽盘头螺钉M4x6	BOLT M4x6	1					
24	T8-05000820	浮子	FLOAT	1					
25	T8-05000819	针阀组件	NEEDLE VALVE ASSY	1					
26	T8-05000819-2	针阀弹簧	SPRING, NEEDLE VALVE	1					
27	T8-05000819-1	针阀	NEEDLE VALVE	1					
28	T8-05000808	胶帽	RUBBER CAP	1					
29	T8-05000807	主喷嘴	MIAN NOZZLE	1					
30	T8-05000806	主量孔	MIAN JET	1					
31	T8-05000805	空气减速量孔	SLOW JET	1					
32	T8-05000815	摆杆垫圈	WASHER, SWING LINK	2					
33	GB/T896-4	开口挡圈 4	CIRCLIP 4	2					
34	T8-05000801	化油器本体	CARBURETOR	1					
35	T8-05000816	油门挡板	APRON, ACCELERATOR	1					
36	GB/T93-3	弹性垫圈 3	SPRING-WASHER 3	3					
37	GB/T818-M3x5	十字槽盘头螺钉M3x5	BOLT M3x5	3					
38	T8-05000810	堵头	PLUG	1					
39	T8-05000809	橡胶板	RUBBER PLATE	1					
40	T8-05000811	面板	PLATE	1					
41	GB/T818-M4x10	十字槽盘头螺钉 M4x10	BOLT M4x10	2					
42	T8-05000803	调节螺钉弹簧	SPRING	2					
43	T8-05000804	怠速螺钉	IDLE SCREW	1					
44	T8-05000802	油门停止螺钉	STOP SCREW	1					
45	T8-05000814	油门摆杆扭簧	TWIST SPRING	1					
46	T8-05000813	油门摆杆垫管	PIPE, SWING LINK	1					
47	T8-05000812	油门摆杆组件	ACCELERATOR BAR ASSY	1					
48	T8-05000022	油门控制器连杆接头	TIE-IN,	1					
49	T8-05000817	阻风门摆杆组件	ROD ASSY, AIR STRANGER	1					
50	T8-05000818	阻风门挡板	APRON, AIR STRANGER	1					

零部件名称: 起动器

PARTS NAME: STARTER





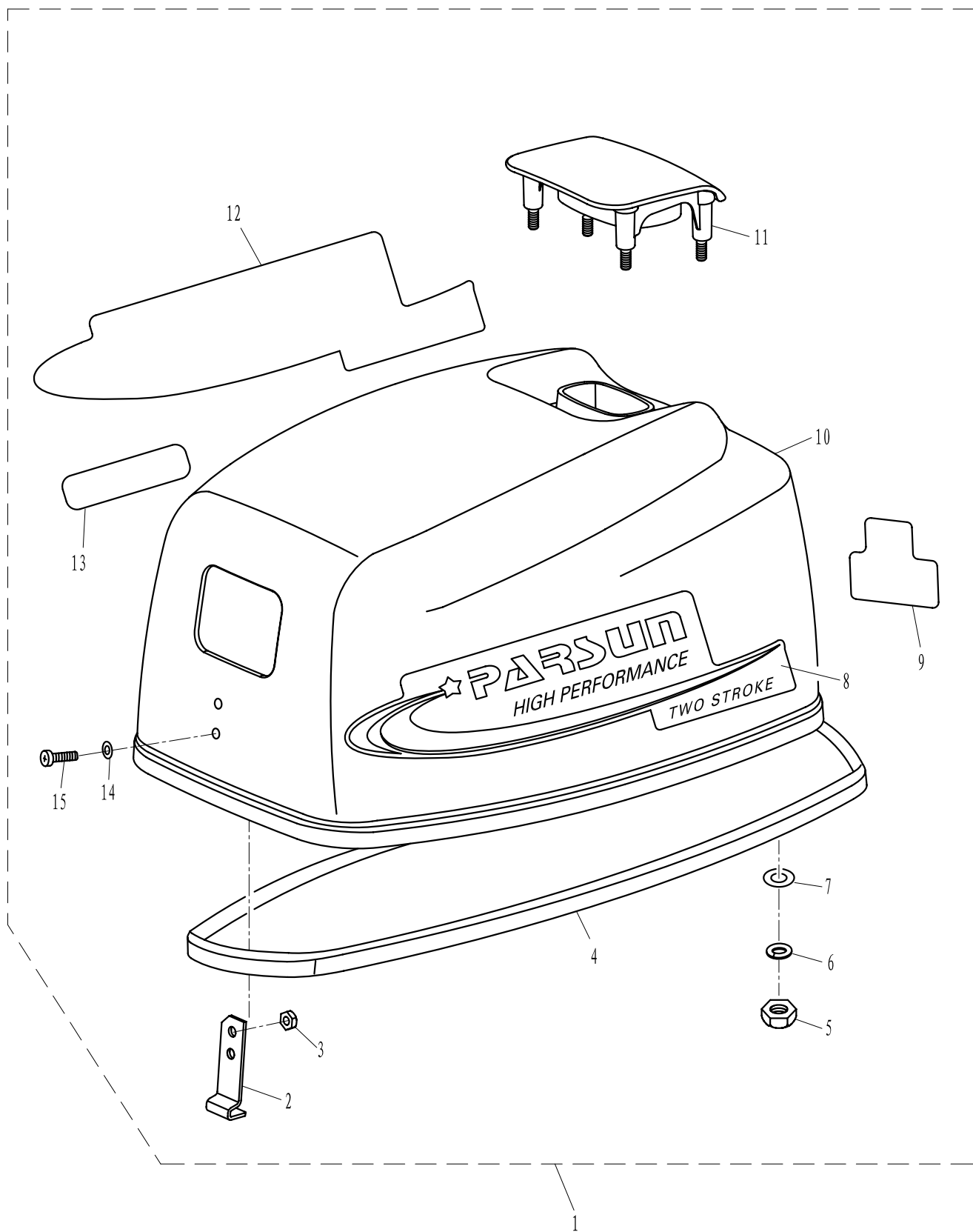


零部件名称:

顶罩组件

PARTS NAME:

TOP COWLING ASSY

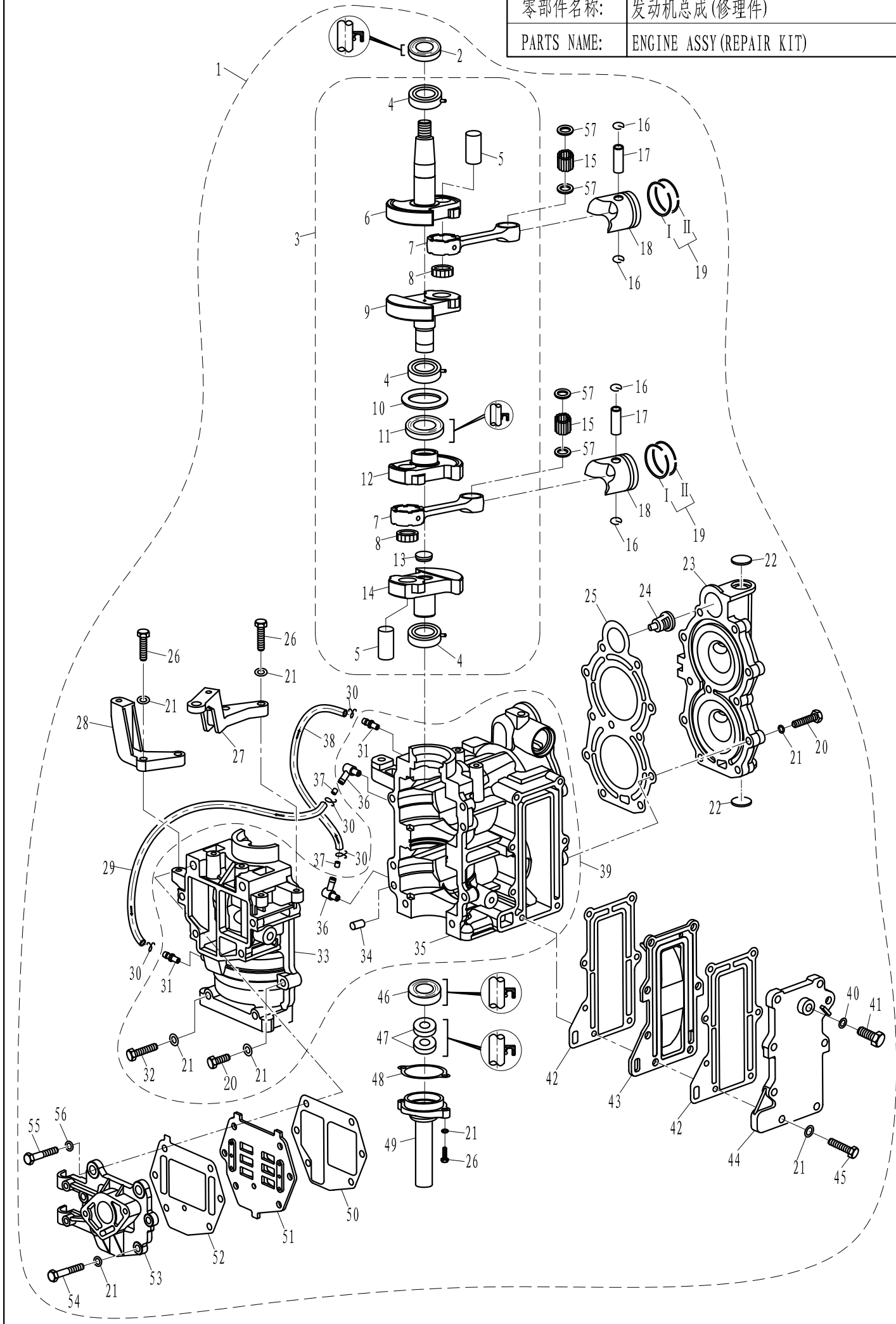






零部件名称: 发动机总成(修理件)

PARTS NAME: ENGINE ASSY(REPAIR KIT)



零部件名称:

发动机总成(修理件)

PARTS NAME:

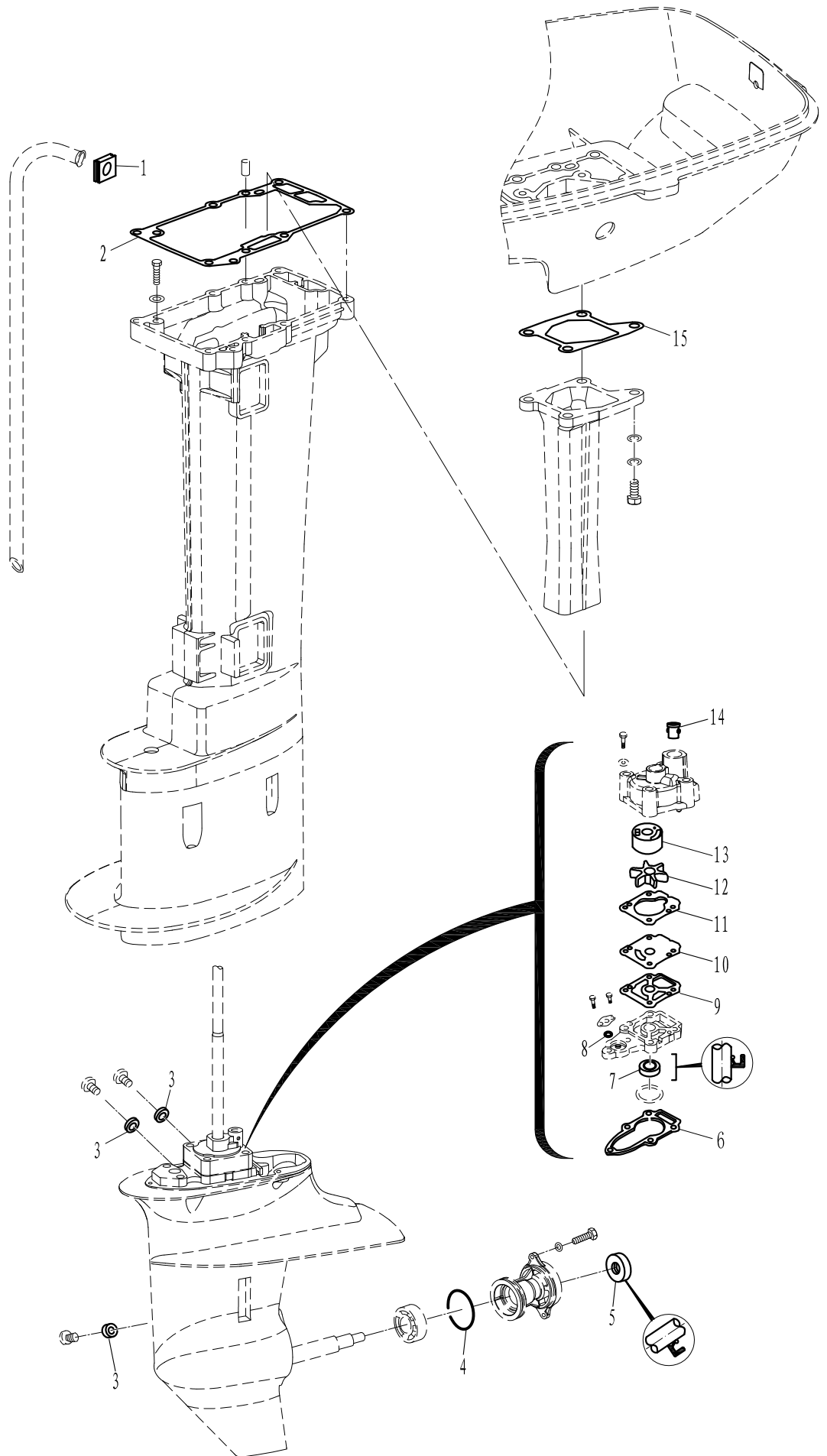
ENGINE ASSY(REPAIR KIT)

SN. 参照号码	PART NO. 零件编号	DESCRIPTION 零件名称(中文)	DESCRIPTION 零件名称(英文)	QTY 数量					REMARKS 备注
1	T8-05000000	发动机总成	ENGINE ASSY	1					
2	T8-05020001	曲轴上油封 20x35x7	OIL SEAL 20x35x7	1					
3	T8-05020100	曲轴组件	CRANKSHAFT ASSY	1					
4	T8-05020002	深沟球轴承6204(带销)	BEARING 6204	3					
5	T8-05020102	曲轴销	PIN, CRANKSHAFT	2					
6	T8-05020101	曲轴甩块 A	BLOCK, SWING A	1					
7	T8-05020104	连杆	CONNECTING ROD	2					
8	T8-05020103	滚针轴承 $\phi 17 \times \phi 23 \times 13.8$	QUILL BEARING	2					
9	T8-05020105	曲轴甩块 B	BLOCK, SWING B	1					
10	T8-05020106	曲轴定位片	LOCATING FLAKE, CRANKSHAFT	1					
11	T8-05020107	曲轴油封 25x47x7.5	OIL SEAL 25x47x7.5	1					
12	T8-05020108	曲轴甩块 C	BLOCK, SWING C	1					
13	T8-05020110	甩块堵头	JAM, SWING BLOCK	1					
14	T8-05020109	曲轴甩块 D	BLOCK, SWING D	1					
15	T15-04020206	圆头滚针 $\phi 2 \times 13.8$	NEEDLE ROLLER $\phi 2 \times 13.8$	50					
16	GB/T895.1-14	孔用钢丝挡圈 14	CIRCLIP	4					
17	T8-05020005	活塞销	PIN, PISTON	2					
18	T8-05020004	活塞	PISTON	2					
19	T8-05020008	活塞环 I (黑色)	PISTON RING I (BLACK)	2					
		活塞环 II (白色)	PISTON RING II (WHITE)	2					
20	T3.6-04000017	六角螺栓 M6x30	BOLT M6x30	13					
21	GB/T97.1-6	平垫圈 6	WASHER 6	32					
22	T8-05000201	缸头堵塞	PLUG, CYLINDER HEAD	2					
23	T8-05000200	气缸盖	CYLINDER COVER	1					
24	F4-04000036	节温器	THERMOSTAT	1					
25	T8-05000100	缸头复合垫	GASKET, CYLINDER HEAD	1					
26	GB/T5783-M6x20	六角螺栓 M6x20	BOLT M6x20	6					
27	T8-05000016	起动机左支架	LEFT BRACKET, STARTER	1					
28	T8-05000017	起动机右支架	RIGHT BRACKET, STARTER	1					
29	T8-05000001	回油管 $\Phi 8 \times \Phi 4 \times 120$	OIL PIPE $\Phi 8 \times \Phi 4 \times 120$	1					
30	T8-05000019	油管夹簧	CLIP SPRING, OIL PIPE	4					
31	T8-05010103	回油嘴	OIL NIPPLE	2					
32	T8-05000021	六角螺栓 M6x50	BOLT M6x50	2					
33	T8-05010201	机座	CRANKCASE	1					
34	F15-00000006	定位销 $\Phi 6 \times 12$	DOWEL PIN $\Phi 6 \times 12$	2					
35	T8-05010101	机体	CYLINDER CASE	1					
36	T8-05010102	气嘴组件	GAS NIPPLE ASSY	2					
37	T8-05000300	单向阀组件	CHECK VALVE ASSY	2					
38	T8-05000002	回油管 $\Phi 8 \times \Phi 4 \times 230$	OIL PIPE $\Phi 8 \times \Phi 4 \times 230$	1					
39	T8-05010000	机体机座组件	CRANKCASE ASSY	1					
40	F4-03000024	注油孔密封垫	GASKET	1					
41	GB/T5783-M8x8	六角螺栓 M8x8	BOLT M8x8	1					
42	T8-05000004	排气盖板垫	GASKET, EXHAUST COVER	2					



零部件名称: 附件 I (维修件)

PARTS NAME: APPENDIX I (REPAIR KIT)

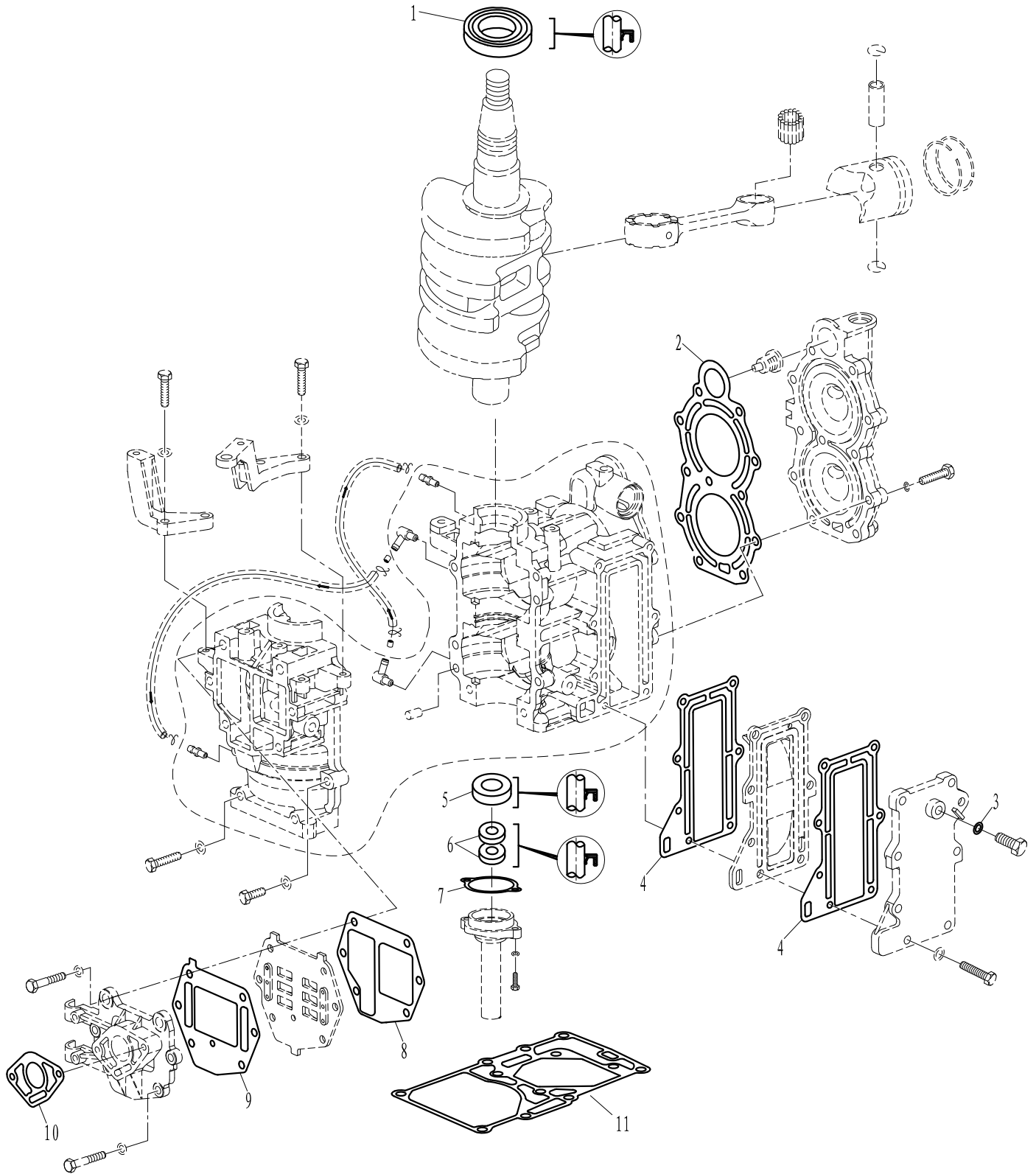






零部件名称: 附件 II (修理件)

PARTS NAME: APPENDIX II (REPAIR KIT)





零部件名称:

零件目录检索表

PARTS NAME:

PARTS CATALOGUE INDEX

零件代号 PART NO.	页码/序号 PAGE/NO.	零件代号 PART NO.	页码/序号 PAGE/NO.	零件代号 PART NO.	页码/序号 PAGE/NO.
BPR7HS	14-21	F8-02000012	6-10	F8-05050007	23-17
NSK FJ-1516	11-26	F8-02010001	6-13	F8-05050008	23-20
F2.6-03000009	11-15	F8-03010005	8-8	F8-05050009	23-19
F2.6-05000004	8-14	F8-03010006	8-7	F8-05050010	23-21
F4-01000002	2-7	F8-04000001	11-32	F8-05050018	23-15
F4-01000003	2-15	F8-04000002-1	11-37	F8-10000000	26-2
F4-01010002	2-13	F8-04000002-2		F8-10000001	26-9
F4-01010003	2-14	F8-04000003	11-25	F15-00000006	19-15
F4-01010004	2-11	F8-04000004-1	11-19	F15-05000029	23-2
F4-01010005	2-12	F8-04000004-2		F15-06000016	12-58
F4-01030103	2-47	F8-04000004-3		F15-07130105	23-10
F4-01050002	1-5	F8-04000005	11-20	F15-07130106	23-1
F4-01090003	4-16	F8-04000006	11-10	F15-09000000	26-1
F4-01090004	4-15	F8-04000007	11-9	F15-10000002	26-8
F4-01090006	4-21	F8-04000008	11-8	F15-10000003	26-7
F4-01090007	4-20	F8-04000009	11-5	F15-10010000	26-3
F4-01090100	4-14	F8-04000010	11-6	F15-10020000	26-6
F4-01090200	4-22	F8-04000011	11-14	F25-03000003	8-23
F4-01090401	4-12	F8-04000012	12-45	F25-05000016	14-22
F4-02000011	6-14	F8-04000013	11-4	F25-05000035	15-5
F4-03000023	11-28	F8-04000014	12-46	F25-05160002	9-13
F4-03000024	11-27	F8-04000015	11-22	T3.6-04000017	19-1
	19-21	F8-04000016	11-21	T15-01000001	4-7
F4-04000030	20-1	F8-04000017	11-30	T15-01000002	4-6
F4-04090005	21-13	F8-04000018	11-35	T15-01000003	4-5
F4-04090011	21-14	F8-04000019	12-54	T15-01000004	4-4
F4-04130013	23-14	F8-04000020	12-55	T15-01000005	4-3
F4-04130101	23-8	F8-04000021	11-24	T15-01020001	4-9
F4-04130102	23-7	F8-04000101	11-18	T15-01020002	4-10
F4-05000020	8-11	F8-04000102	11-11	T15-01020003	4-13
F4-05000023	8-13	F8-04000200	11-7	T15-01020300	4-18
F4-05000200	8-20	F8-04000300	12-40	T15-02010100	2-32
F4-05000300	20-3	F8-04000301	12-44	T15-04000010	19-5
F4-06000005	25-2	F8-04000302	12-43	T15-04000011	14-2
F8-00000005	6-11	F8-04000303	12-42	T15-04020206	17-14
	12-60	F8-04000305	12-39	T15-04040005	9-12
F8-01000100	2-19	F8-04010000	12-38	T20-03000002	23-25
F8-01010001	2-25	F8-04020001 (L)	11-23	T8-00000001	2-34
F8-01010102	2-20	F8-04020001 (S)		T8-00000002	2-29
F8-01010103	2-43	F8-04040000	12-47	T8-00000003	2-30
F8-01010104	2-42	F8-04040001	12-51	T8-00000004	1-1
F8-01010105	2-44	F8-04040002	12-49	T8-00000005	1-2
F8-01010108	2-27	F8-04040003	12-50	T8-00000006	19-27
F8-01010109	2-39	F8-04040004	12-52	T8-00000007	6-4
F8-01010111	2-38	F8-04050000	12-56	T8-00000008	6-3
	9-14	F8-05000024	14-1	T8-01000001	2-26
F8-01010200	1-4	F8-05050002	23-11	T8-01000002	2-17
F8-01010300	2-46	F8-05050003	23-12	T8-01000003	2-18
F8-02000002	17-20	F8-05050004	23-13	T8-01010101	2-16
F8-02000011	6-9	F8-05050006	23-18	T8-01010106	2-40

零部件名称:

零件目录检索表

PARTS NAME:

PARTS CATALOGUE INDEX

零件代号 PART NO.	页码/序号 PAGE/NO.	零件代号 PART NO.	页码/序号 PAGE/NO.	零件代号 PART NO.	页码/序号 PAGE/NO.
T8-01010300	2-22	T8-05000022	9-20	T8-05000822	21-21
T8-01010400	2-6		21-48	T8-05000823	21-17
T8-01020000	1-3	T8-05000100	19-6	T8-05000824	21-18
T8-01030100	4-1	T8-05000200	19-4	T8-05000825	21-19
T8-02000001	6-8	T8-05000201	19-3	T8-05000826	21-15
T8-02000002S	6-1	T8-05000300	19-17	T8-05000829	21-16
T8-02000002L	6-1	T8-05000401	17-22	T8-05000830	21-12
T8-02000003	6-2	T8-05000402	17-19	T8-05000833	21-10
T8-03000001	8-1	T8-05000500	15-11	T8-05000834	21-9
T8-03000002	20-4	T8-05000501	15-14	T8-05000900	15-3
T8-03000003	20-2	T8-05000502	15-15	T8-05010000	19-20
T8-03000004	20-5	T8-05000503	15-16	T8-05010101	19-19
T8-03000006	8-5	T8-05000504	15-13	T8-05010102	19-16
T8-03000008	9-6	T8-05000600	9-23	T8-05010103	19-12
T8-03000009	8-16	T8-05000601	15-9	T8-05010201	19-14
T8-03000010	9-8	T8-05000602	9-22	T8-05020001	17-1
T8-03000011	2-36	T8-05000603	9-21	T8-05020002	17-3
T8-03000012	2-37	T8-05000604	9-19	T8-05020004	17-17
T8-03000013	8-25	T8-05000605	9-15	T8-05020005	17-16
T8-03000014	8-24	T8-05000606	9-16	T8-05020007	17-25
T8-03000015	8-22	T8-05000701	14-20	T8-05020008	17-18
T8-03010001	9-3	T8-05000702	14-10	T8-05020100	17-2
T8-03010002	9-5	T8-05000703	14-9	T8-05020101	17-5
T8-03010003	9-4	T8-05000704	14-18	T8-05020102	17-4
T8-03010005	8-2	T8-05000705	14-14	T8-05020103	17-7
T8-03010006	9-7	T8-05000706	14-15	T8-05020104	17-6
T8-03010100	9-1	T8-05000800	20-6	T8-05020105	17-8
T8-04000000L	11-1	T8-05000801	21-34	T8-05020106	17-9
T8-04000000S		T8-05000802	21-44	T8-05020107	17-10
T8-04010000 (L)	11-17	T8-05000803	21-42	T8-05020108	17-11
T8-04010000 (S)		T8-05000804	21-43	T8-05020109	17-13
T8-05000001	19-10	T8-05000805	21-31	T8-05020110	17-12
T8-05000002	19-18	T8-05000806	21-30	T8-05030000	14-23
T8-05000003	19-24	T8-05000807	21-29	T8-05040000	14-6
T8-05000004	19-23	T8-05000808	21-28	T8-05050000	23-3
T8-05000005	19-25	T8-05000809	21-39	T8-05050001	23-16
T8-05000006	17-21	T8-05000810	21-38	T8-05050002	23-9
T8-05000007	8-19	T8-05000811	21-40	T8-05050100	23-4
T8-05000008	8-17	T8-05000812	21-47	T8-05050200	23-22
T8-05000009	15-10	T8-05000813	21-46	T8-06000000	25-1
T8-05000010	9-10	T8-05000814	21-45	T8-06000001	25-10
T8-05000012	15-4	T8-05000815	21-32	T8-06000002	25-11
T8-05000014	15-12	T8-05000816	21-35	T8-06000003	25-4
T8-05000015	14-5	T8-05000817	21-49		
T8-05000016	19-8	T8-05000818	21-50		
T8-05000017	19-9	T8-05000819	21-25		
T8-05000018	14-19	T8-05000819-1	21-27		
T8-05000019	19-11	T8-05000819-2	21-26		
T8-05000020	15-7	T8-05000820	21-24		
T8-05000021	19-13	T8-05000821	21-22		