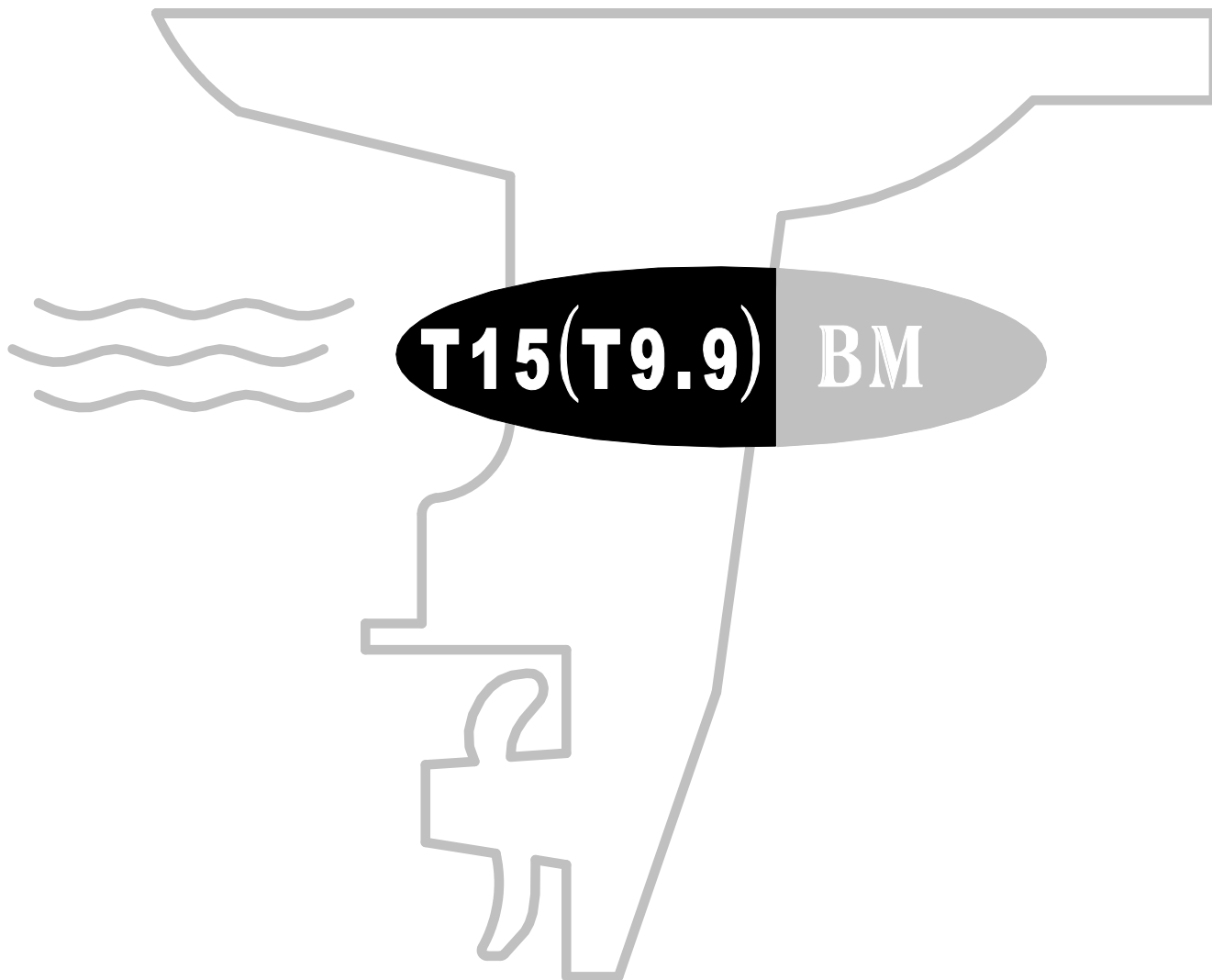


零件目录

PARTS CATALOGUE



苏州百胜动力机器股份有限公司

SUZHOU PARSUN POWER MACHINE CO., LTD

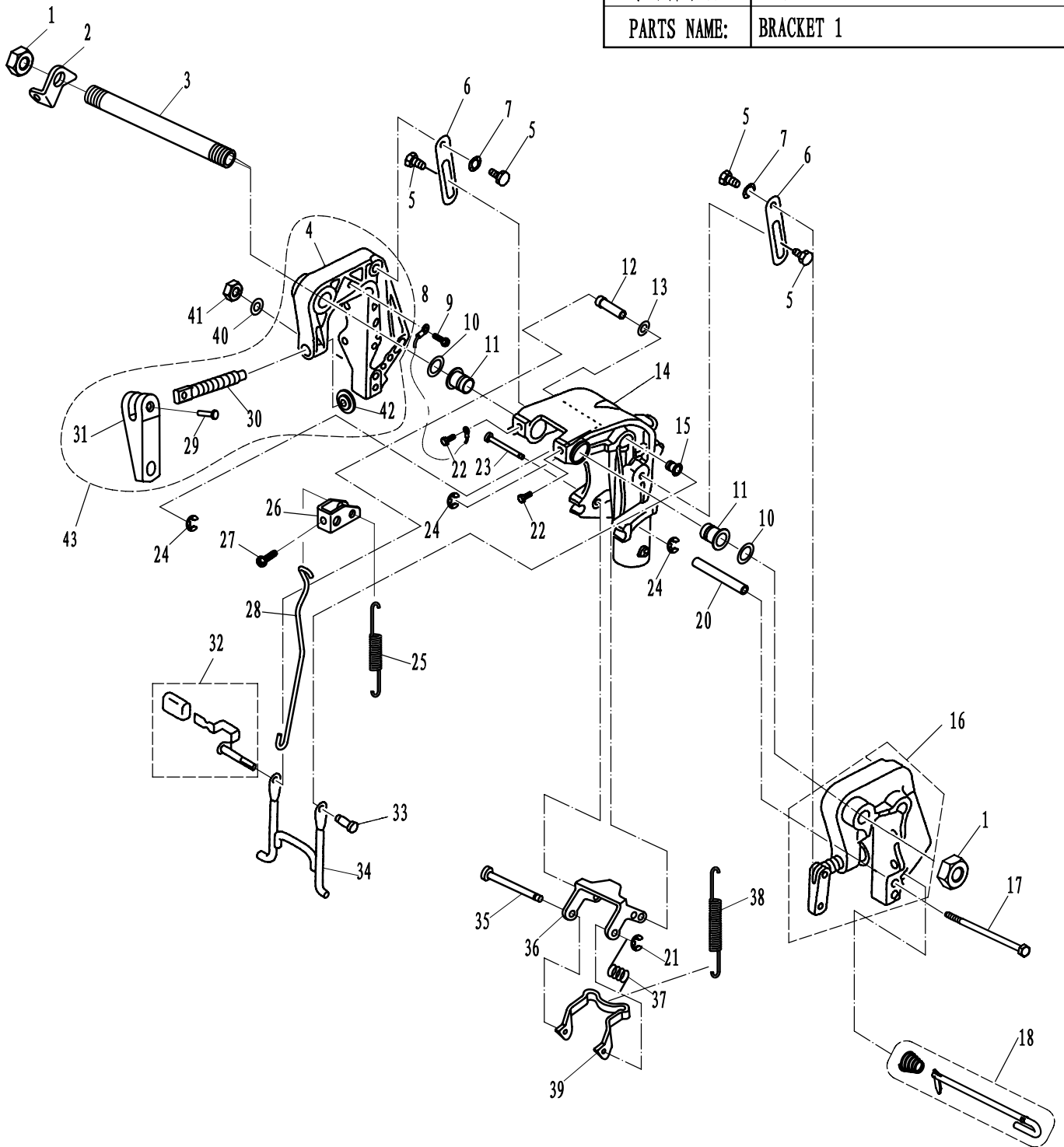
目次

CONTENTS

托架 1	1~2
BRACKET 1	1~2
托架 2	3~4
BRACKET 2	3~4
操舵系统	5~6
STEERING	5~6
水上装置壳体	7
UPPER CASING	7
底罩	8~9
BOTTOM COWLING	8~9
控制系统	10~11
CONTROL SYSTEM	10~11
水下装置壳体&驱动系统 1	12~14
LOWER CASING & DRIVE 1	12~14
水下装置壳体&驱动系统 2	15~16
LOWER CASING & DRIVE 2	15~16
电气	17~18
ELECTRICAL	17~18
进气系统	19~20
INTAKE	19~20
气缸&曲轴箱	21~22
CYLINDER & CRANKCASE	21~22
曲轴&活塞	23~24
CRANKSHAFT & PISTON	23~24
燃油系统	25
FUEL	25
起动机	26~27
STARTER	26~27
顶罩组件	28~29
TOP COWLING ASSY	28~29
化油器总成	30~31
CARBURETOR ASSY	30~31
控制系统(前操)	32~33
CONTROL SYSTEM (REMOTE CONTROL)	32~33
操纵盒组件	34~36
CONTROL BOX ASSY	34~36
油箱	37
FUEL TANK	37
附录1(修理件)	38
APPENDIX 1 (REPAIR KIT)	38
附录2(修理件)	39~40
APPENDIX 2 (REPAIR KIT)	39~40
零件目录检索表	I~III
PARTS CATALOGUE INDEX	I~III

零部件名称: 托架 1

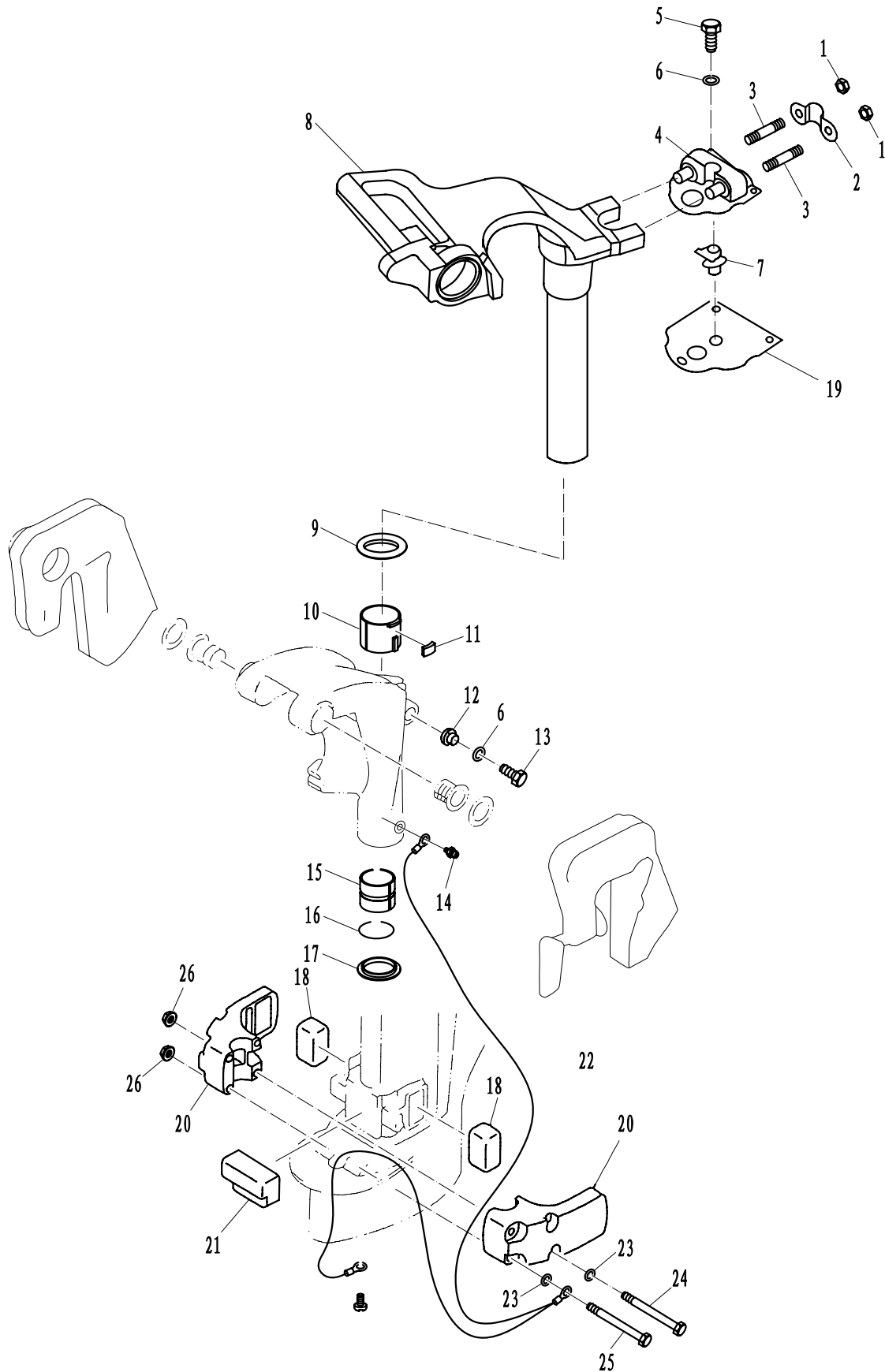
PARTS NAME: BRACKET 1



SN. 参照号码	PART NO. 零件编号	DESCRIPTION 零件名称 (中文)	DESCRIPTION 零件名称 (英文)	QTY 数量					REMARKS 备注
1	F15-01010007	托架夹紧螺母	NUT, SELF-LOCKING	2					
2	F15-01010003	双孔固定板	PLATE, MOUNT DAMPER	1					
3	F15-01010001	夹紧托架双头螺管	BOLT, CLAMP BRACKET	1					
4	F15-01010201	右夹紧托架	BRACKET, RIGHT	1					
5	F15-01010103	扁六角轴位螺钉	SCREW, FLAT HEXAGON	4					
6	F15-01010105	倾斜制动板	PLATE, TILT STOPPER	2					
7	F15-01010104	波形垫圈	WASHER, WAVE	1					
8	F15-01010202	接地钢索A	TIGHTWIRE, EARTHING A	1					
9	GB/T8123-M6x8	十字槽小盘头螺钉 M6x8	SCREW M6x8	1					
10	F15-01010002	螺管尼龙垫圈	WASHER, NYLON	2					

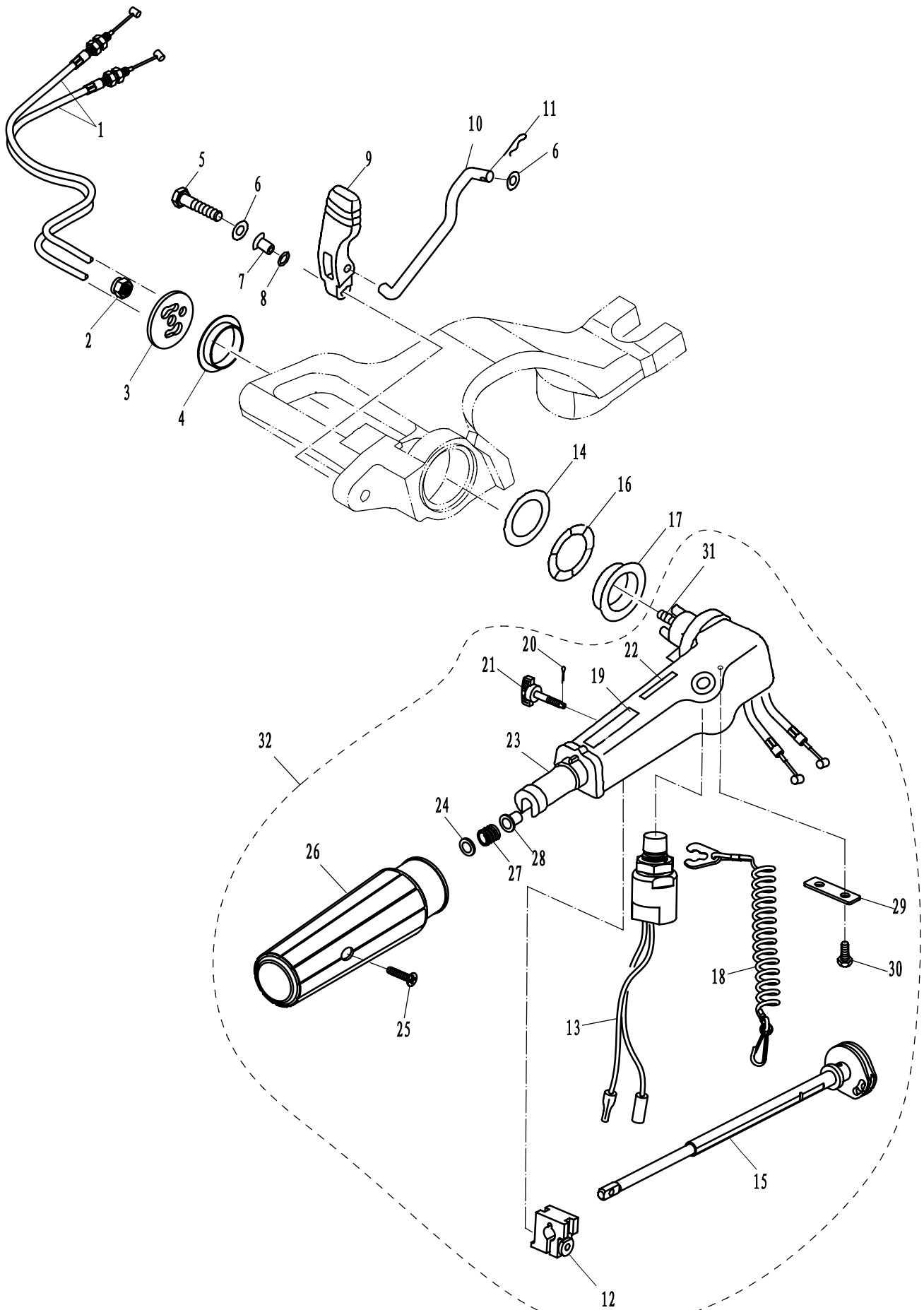
零部件名称: 托架 2

PARTS NAME: BRACKET 2



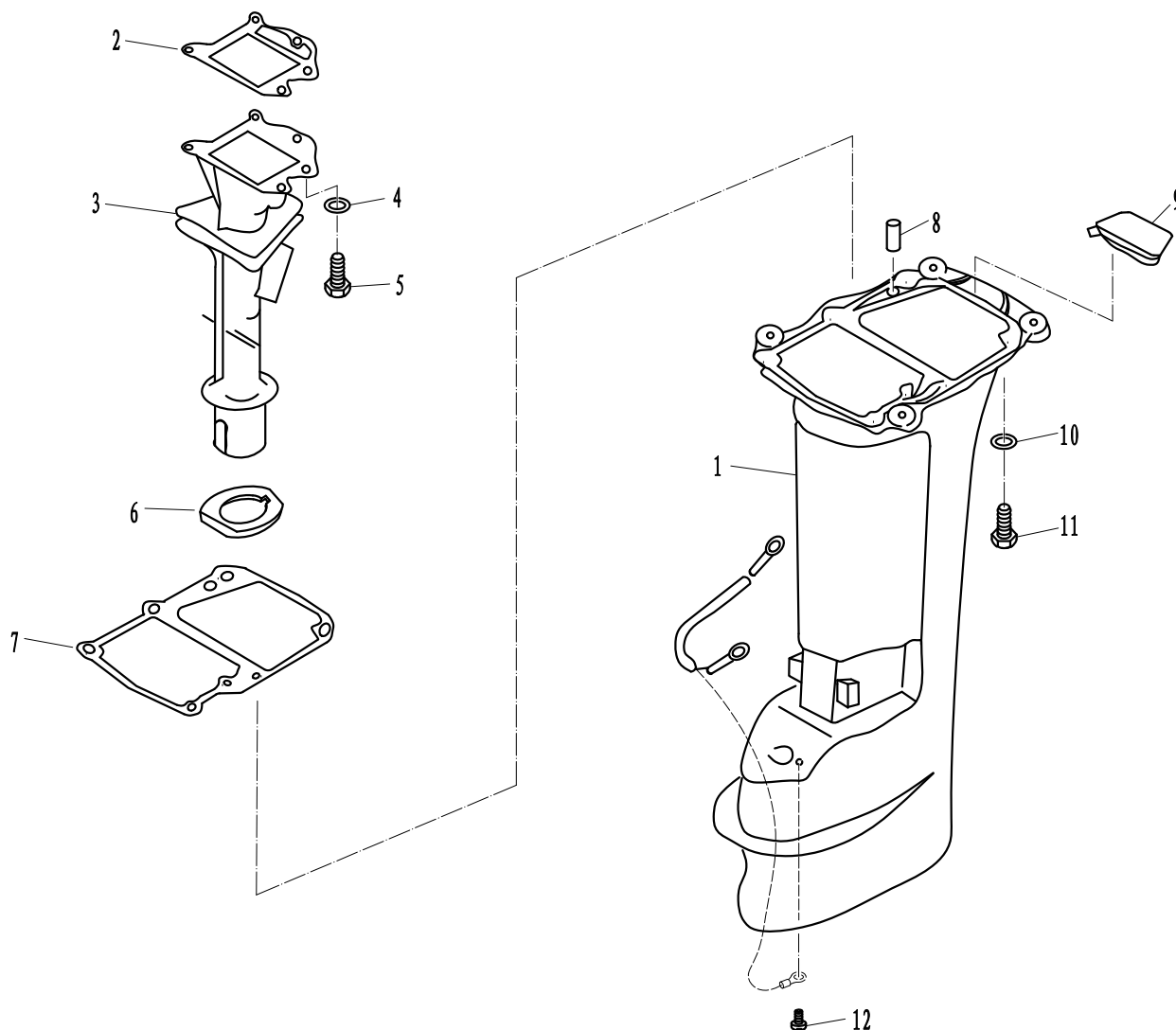
零部件名称: 操舵系统

PARTS NAME: STEERING



零部件名称:	水上装置壳体
--------	--------

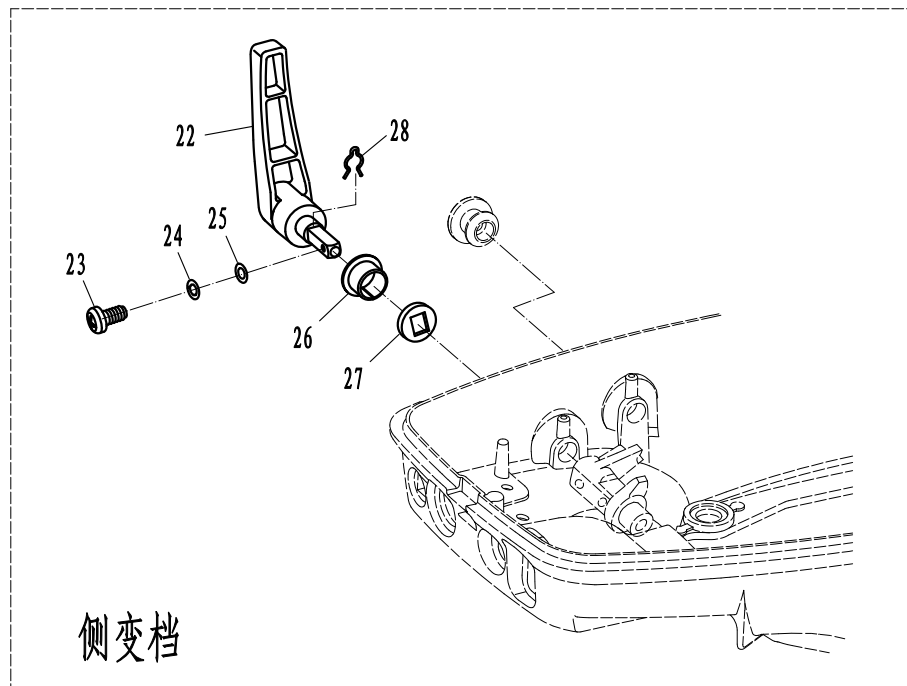
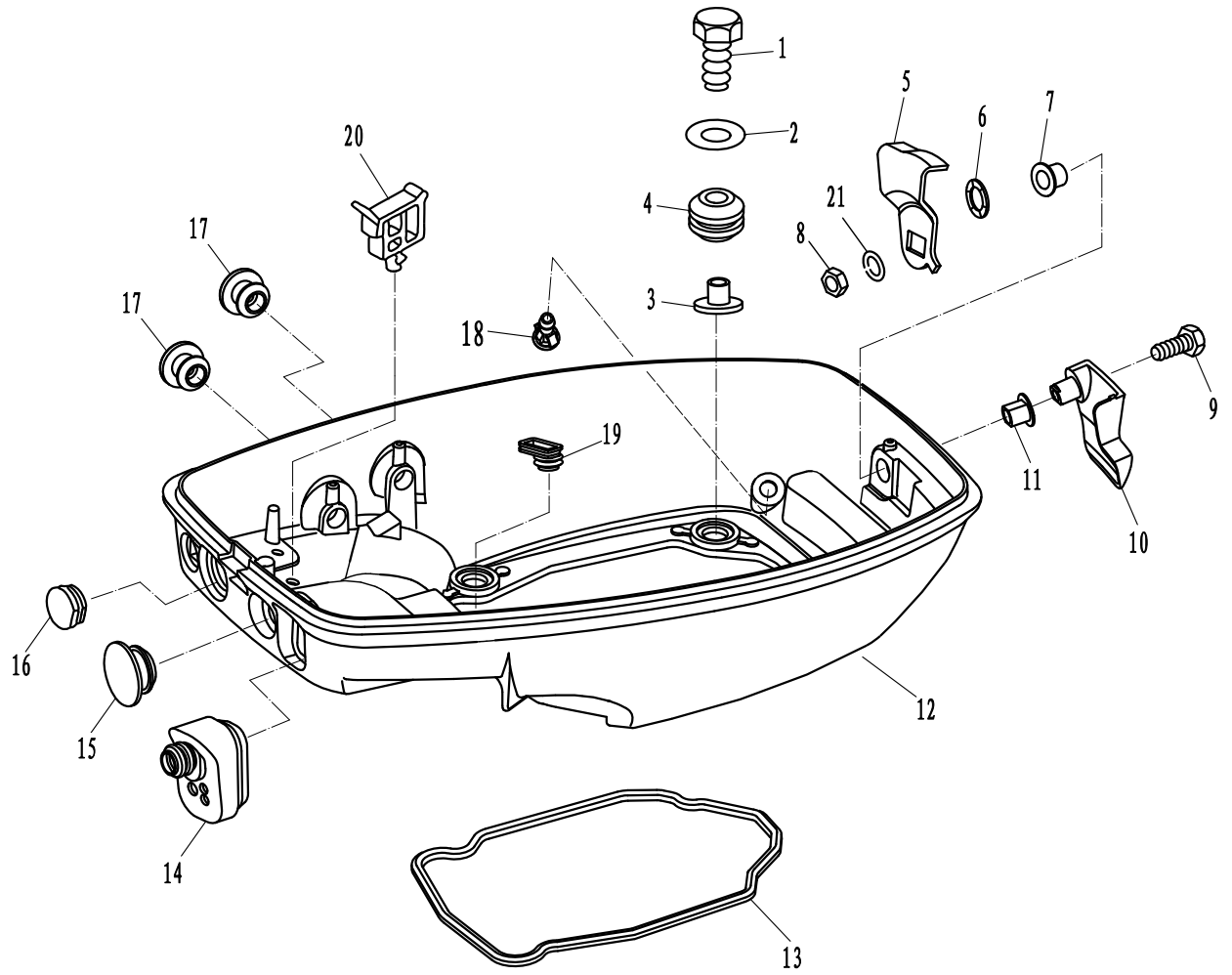
PARTS NAME:	UPPER CASING
-------------	--------------



SN. 参照号码	PART NO. 零件编号	DESCRIPTION 零件名称 (中文)	DESCRIPTION 零件名称 (英文)	QTY 数量					REMARKS 备注
1	T15-02000001L	水上装置壳体 (L)	UPPER CASING (L)	1					L
	T15-02000001S	水上装置壳体 (S)	UPPER CASING (S)						S
2	T15-04000026	排气导管密封垫	GASKET, EXHAUST PIPE	1					
3	T15-04000027	排气导管	EXHAUST PIPE	1					
4	GB/T97.1-6	平垫圈6	WASHER 6	5					
5	GB/T5783-M6x20	六角螺栓M6x20	BOLT M6x20	5					
6	T15-04000028	排气导管减震圈	DAMPER, EXHAUST PIPE	1					
7	T15-00000004	发动机密封垫	GASKET, ENGINE	1					
8	F15-00000006	定位销Φ6x12	DOWEL PIN Φ6x12	2					
9	T15-02000005	水上装置橡胶堵头	RUBBER PLUG, UPPER CASING	1					
10	GB/T97.1-8	平垫圈8	WASHER 8	6					
11	GB/T5783-M8x30	六角螺栓M8x30	BOLT M8x30	6					
12	GB/T818-M6x10	十字槽盘头螺钉M6x10	SCREW M6x10	1					

零部件名称: 底罩

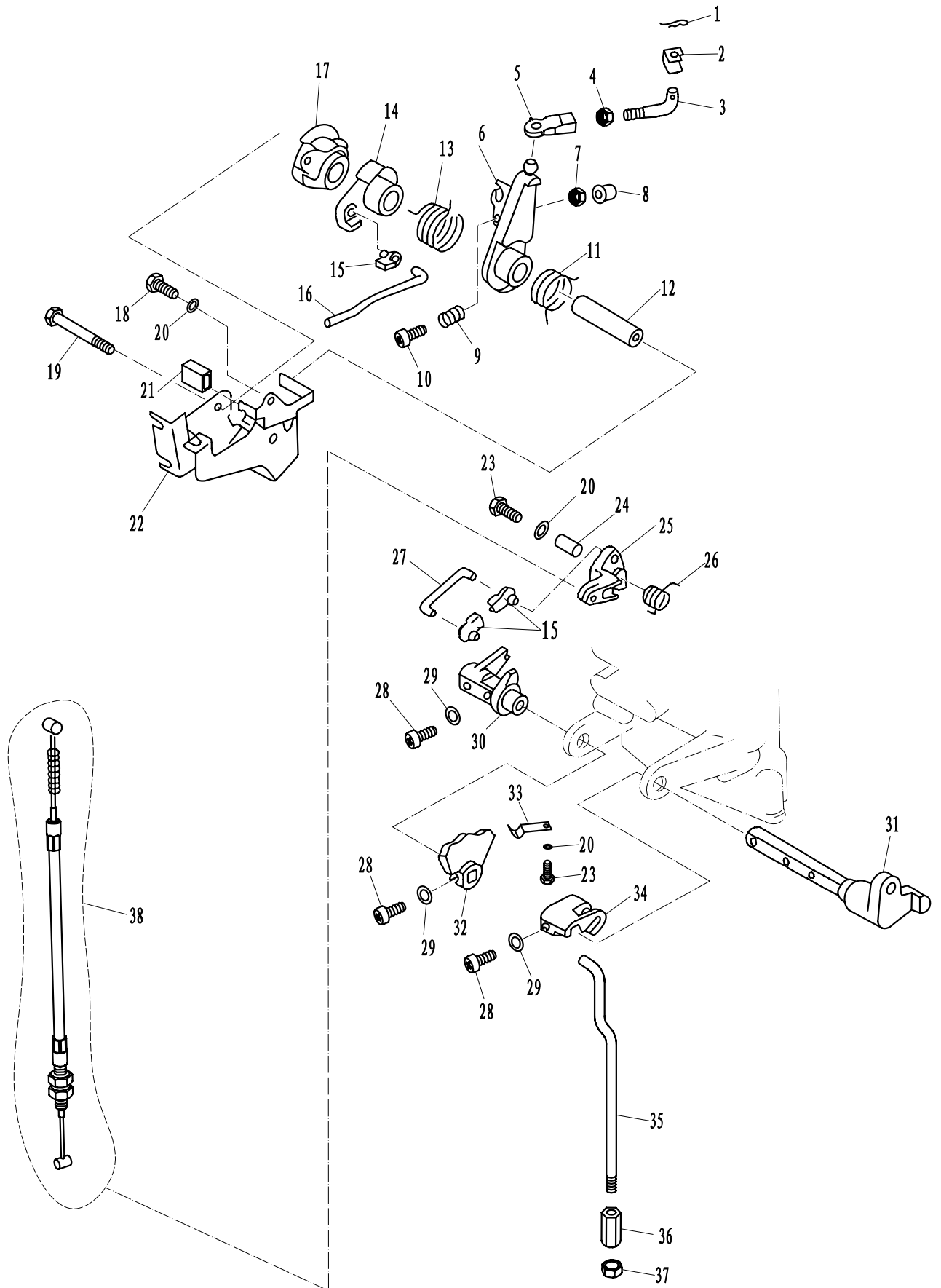
PARTS NAME: BOTTOM COWLING



侧变档

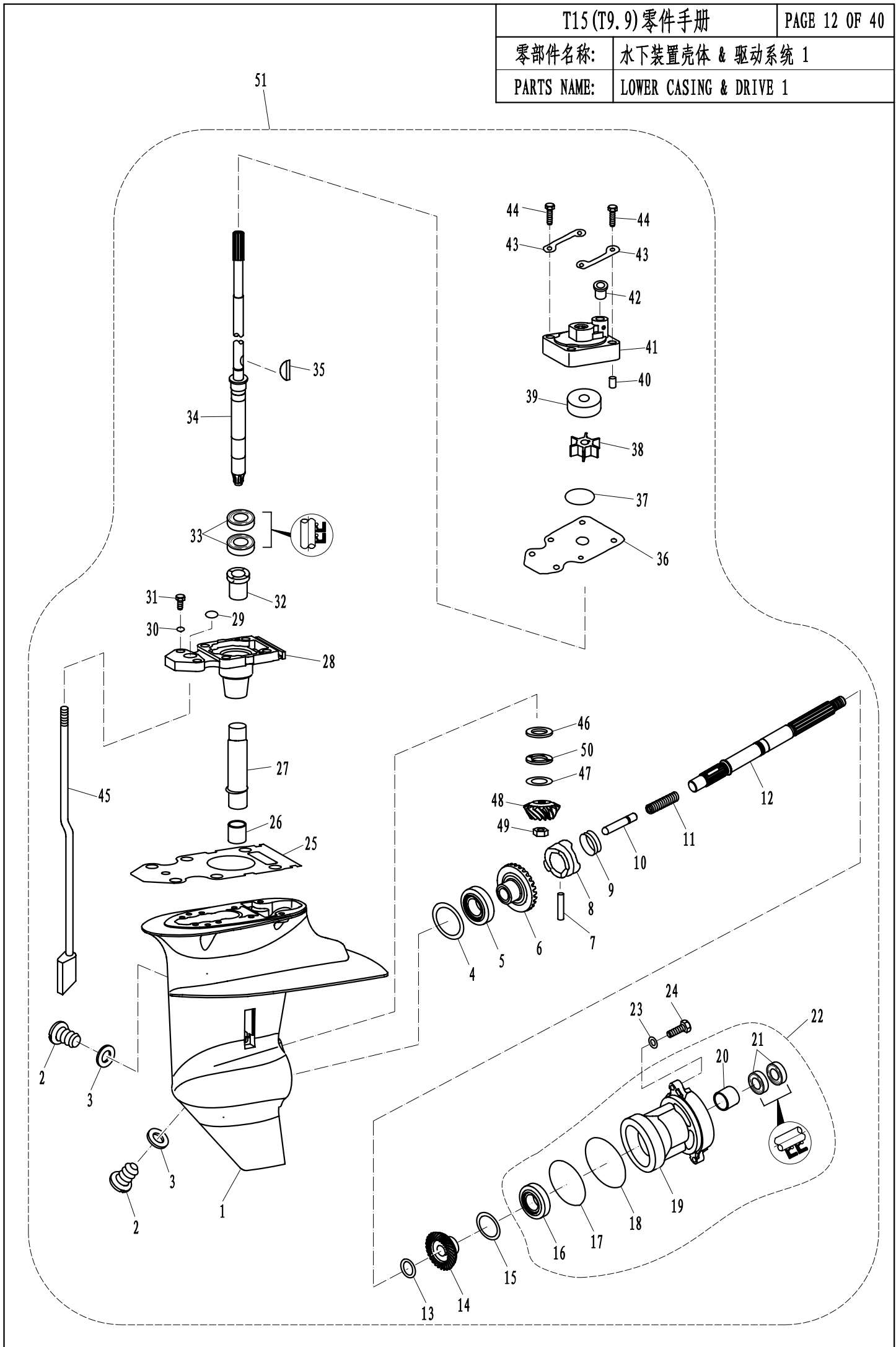
零部件名称: 控制系统

PARTS NAME: CONTROL SYSTEM



零部件名称: 水下装置壳体 & 驱动系统 1

PARTS NAME: LOWER CASING & DRIVE 1



零部件名称:

水下装置壳体 & 驱动系统 1

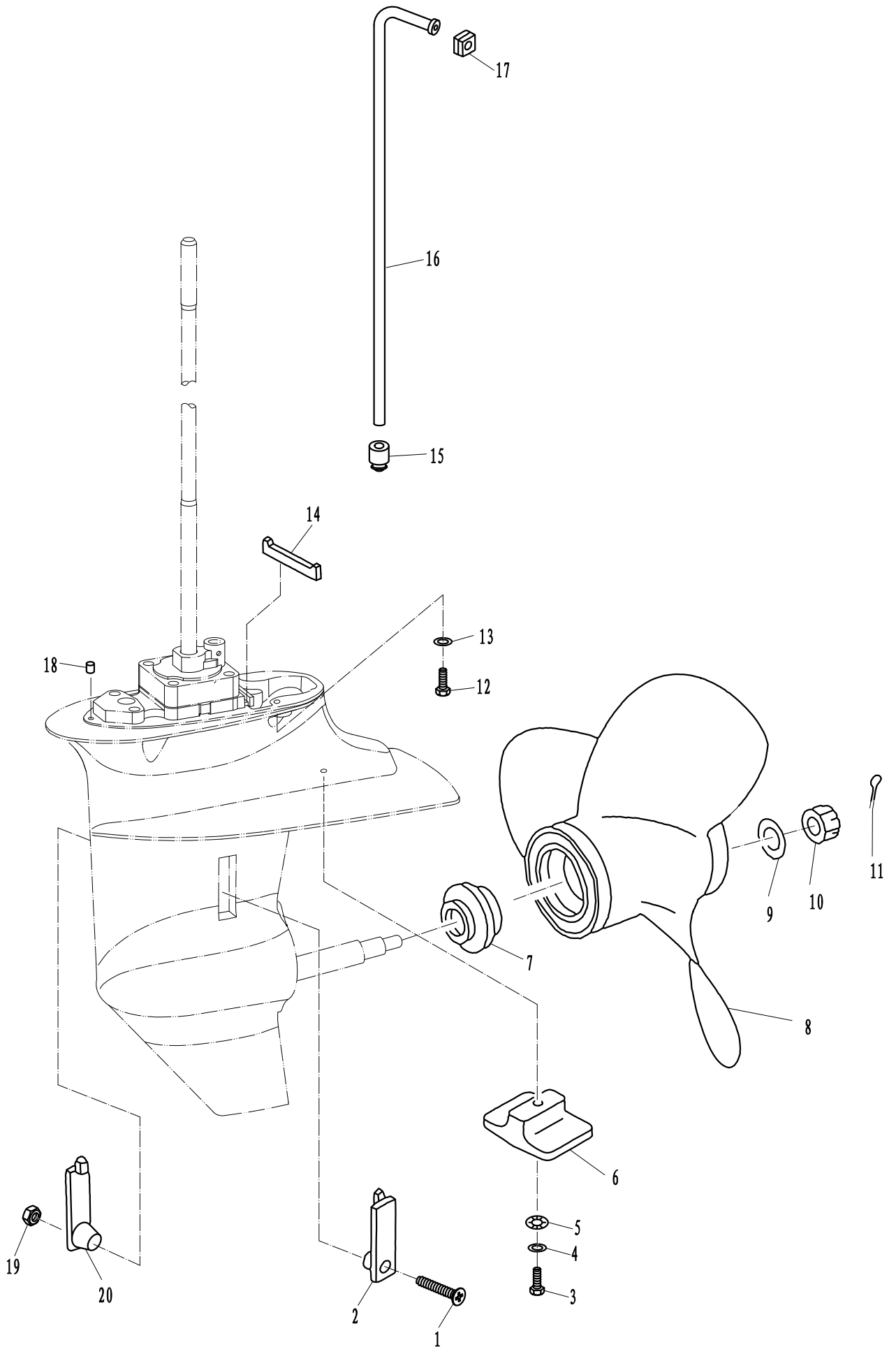
PARTS NAME:

LOWER CASING & DRIVE 1

SN. 参照号码	PART NO. 零件编号	DESCRIPTION 零件名称 (中文)	DESCRIPTION 零件名称 (英文)	QTY 数量					REMARKS 备注
1	F15-06000001	水下装置壳体	GEAR CASE	1					
2	F4-03000023	注油孔螺塞	PLUG, STRAIGHT SCREW	2					
3	F4-03000024	注油孔螺塞密封垫	GASKET, STRAIGHT SCREW PLUG	2					
4	F15-06000010-1	正档齿轮填隙片 (t: 0.10毫米)	SHIM (t: 0.10mm)						
	F15-06000010-2	正档齿轮填隙片 (t: 0.30毫米)	SHIM (t: 0.30mm)						
	F15-06000010-3	正档齿轮填隙片 (t: 0.40毫米)	SHIM (t: 0.40mm)						
	F15-06000010-4	正档齿轮填隙片 (t: 0.50毫米)	SHIM (t: 0.50mm)						
5	NTN 4T-30205 1L	圆锥滚子轴承	BEARING 30205	1					
6	F15-06010000	正档齿轮组件	FORWARD GEAR ASSY	1					
7	F15-06070004	离合器销	PIN, CLUTCH	1					
8	F15-06070003	爪形离合器	CLUTCH	1					
9	F15-06070005	离合器环	RING, CLUTCH	1					
10	F15-06070006	变档柱塞	PLUNGER, SHIFT	1					
11	F15-06070002	离合器弹簧	SPRING, CLUTCH	1					
12	F15-06070001	螺旋桨轴	SHAFT, PROPELLER	1					
13	F15-06070007	倒档齿轮垫圈	WASHER, REVERSE GEAR	1					
14	F15-06080005	倒档齿轮	GEAR, REVERSE	1					
15	F15-06080006-1	倒档齿轮填隙片 (t: 0.10毫米)	SHIM (t: 0.10mm)						
	F15-06080006-2	倒档齿轮填隙片 (t: 0.20毫米)	SHIM (t: 0.20mm)						
	F15-06080006-3	倒档齿轮填隙片 (t: 0.30毫米)	SHIM (t: 0.30mm)						
	F15-06080006-4	倒档齿轮填隙片 (t: 0.40毫米)	SHIM (t: 0.40mm)						
	F15-06080006-5	倒档齿轮填隙片 (t: 0.50毫米)	SHIM (t: 0.50mm)						
16	GB/T276-6005	深沟球轴承 6005	BEARING 6005	1					
17	F15-06080002	水下壳体盖O型圈A	O-RING A, COVER	1					
18	F15-06080003	水下壳体盖O型圈B	O-RING B, COVER	1					
19	F15-06080001	水下装置壳体盖	GEAR CASE GLAND	1					
20	KOYO 17BM2312	滚针轴承 17BM2312	BEARING 17BM2312	1					
21	F15-06080004	螺旋桨轴油封17x30x6 (单唇)	OIL SEAL 17x30x6	2					
22	F15-06080000	水下装置壳体盖组件	GLAND ASSY, GEAR CASE	1					
23	GB/T97.1-6	平垫圈 6	WASHER 6	2					
24	GB/T5783-M6x20	六角螺栓 M6x20	BOLT M6x20	2					
25	F15-06000005	驱动轴座密封垫	GASKET, DRIVE SHAFT BASE	1					
26	NSK F1420	滚针轴承 F1420	BEARING F1420	1					
27	F15-06000006	长尼龙套管	BUSHING, NYLON	1					
28	F15-06020001	驱动轴座	BASE, DRIVE SHAFT	1					
29	F15-06020004	O型圈	O-RING	1					
30	GB/T97.1-8	平垫圈 8	WASHER 8	2					
31	GB/T5783-M8x25	六角螺栓 M8x25	BOLT M8x25	2					
32	F15-06020002	带挡边筒形轴承	CYLINDRICAL BEARING	1					
33	F15-06020003	驱动轴油封 20X30X6 (单唇)	OIL SEAL 20x30x6	2					
34	F15-06040000L	驱动轴组件 (L)	DRIVE SHAFT ASSY (L)	1					L
	F15-06040000S	驱动轴组件 (S)	DRIVE SHAFT ASSY (S)						S
35	F15-06000013	半圆键	WOODRUFF KEY, FLYWHEEL	1					

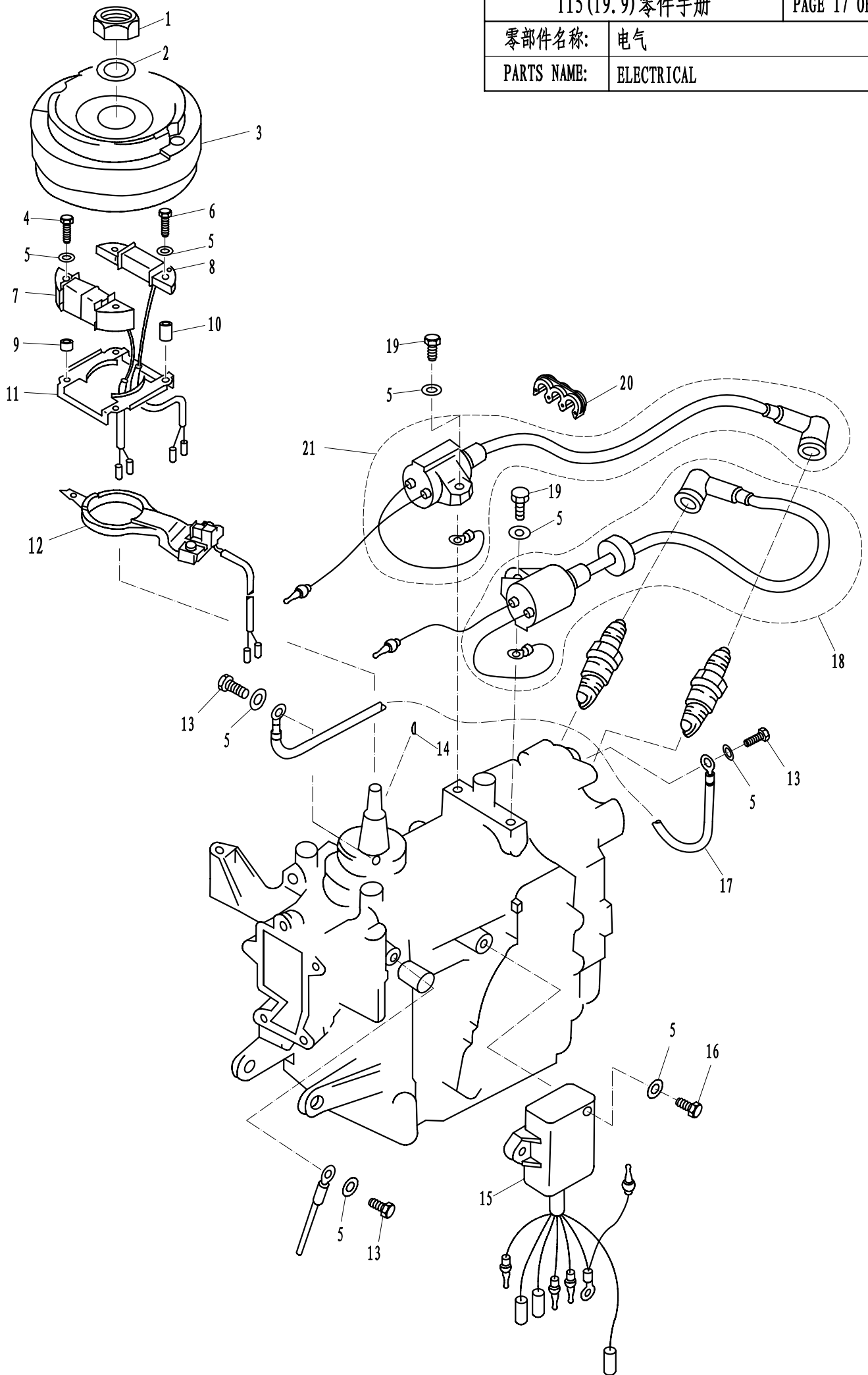
零部件名称: 水下装置壳体 & 驱动系统 2

PARTS NAME: LOWER CASING & DRIVE 2



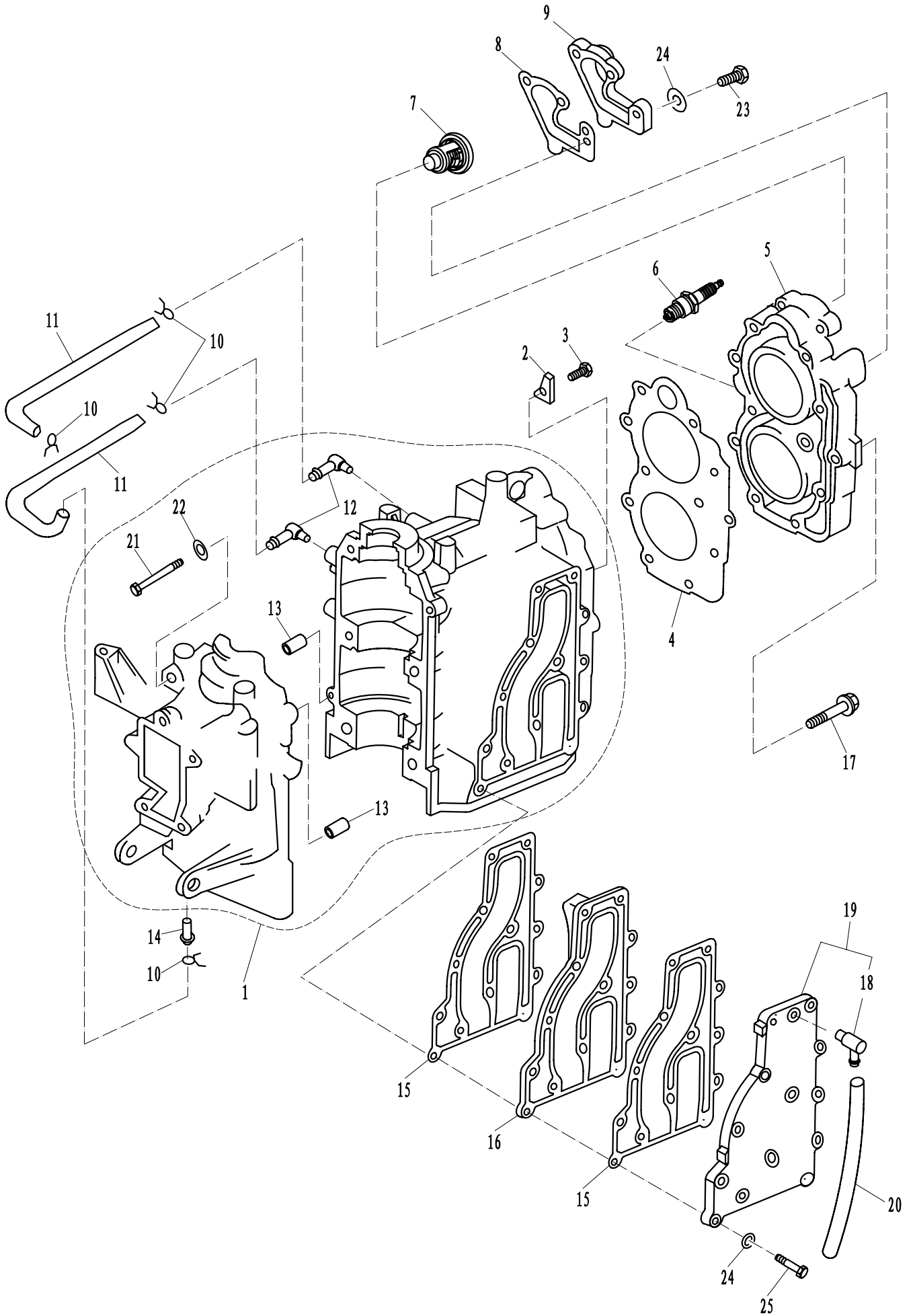
零部件名称: 电气

PARTS NAME: ELECTRICAL



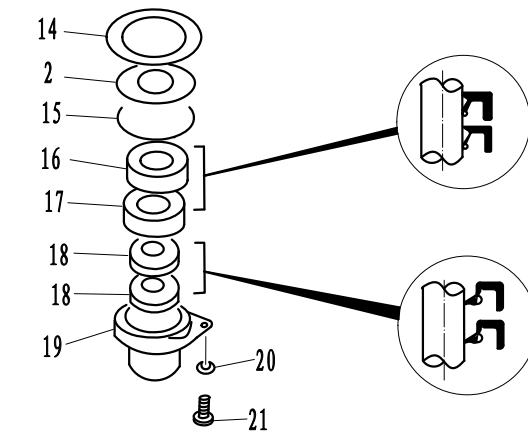
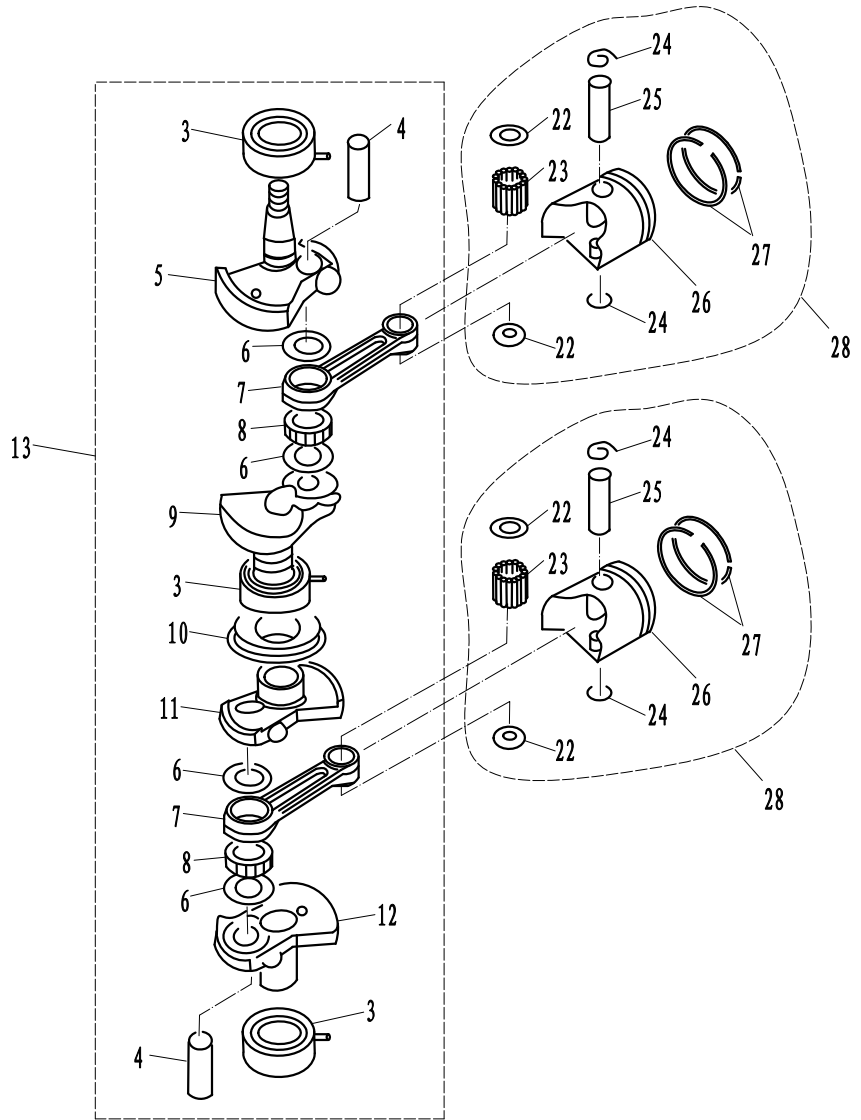
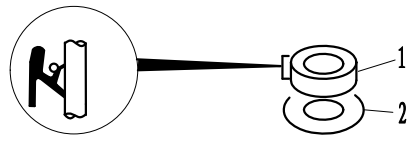
零部件名称: 气缸&曲轴箱

PARTS NAME: CYLINDER & CRANKCASE



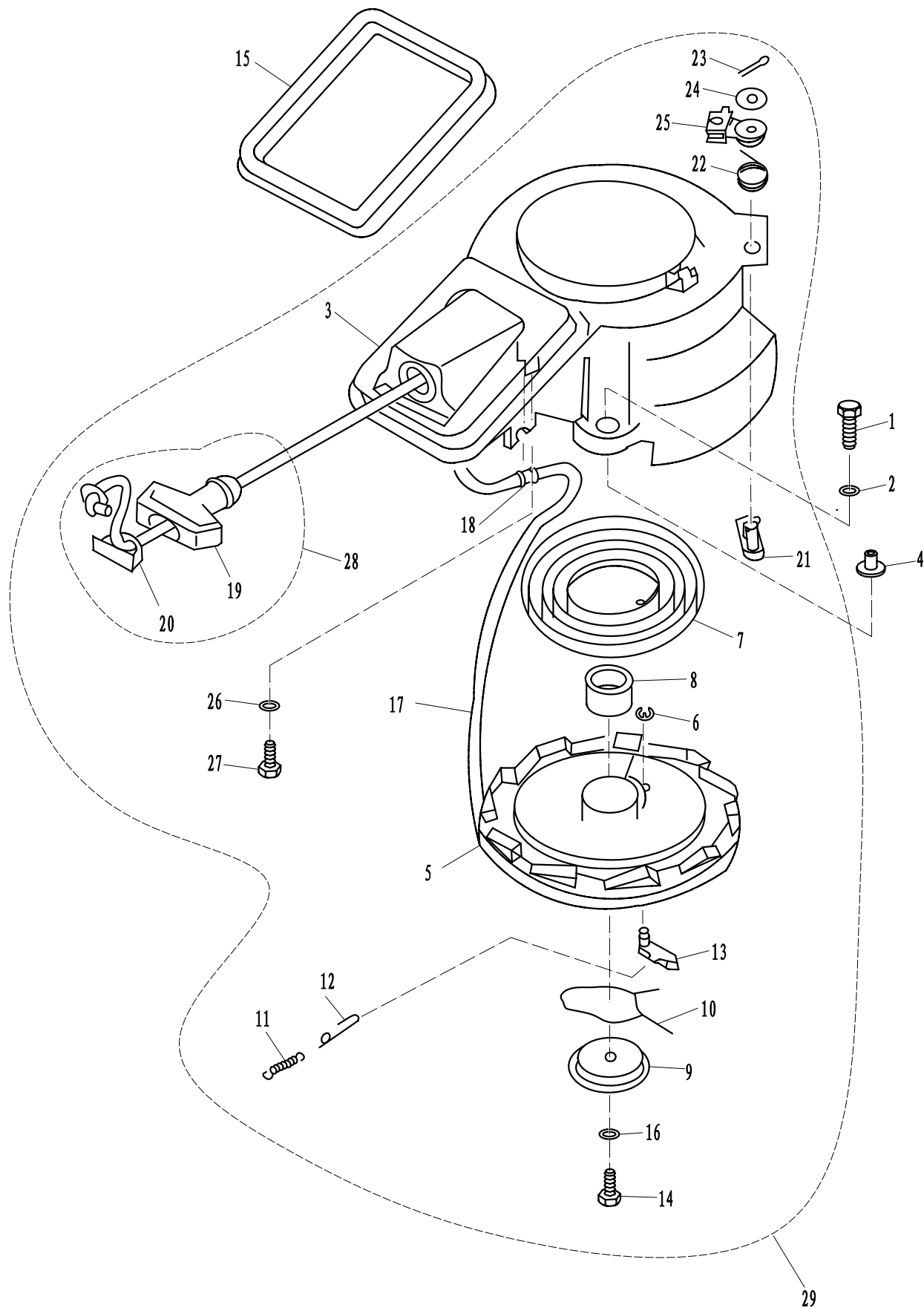
零部件名称: 曲轴&活塞

PARTS NAME: CRANKSHAFT & PISTON



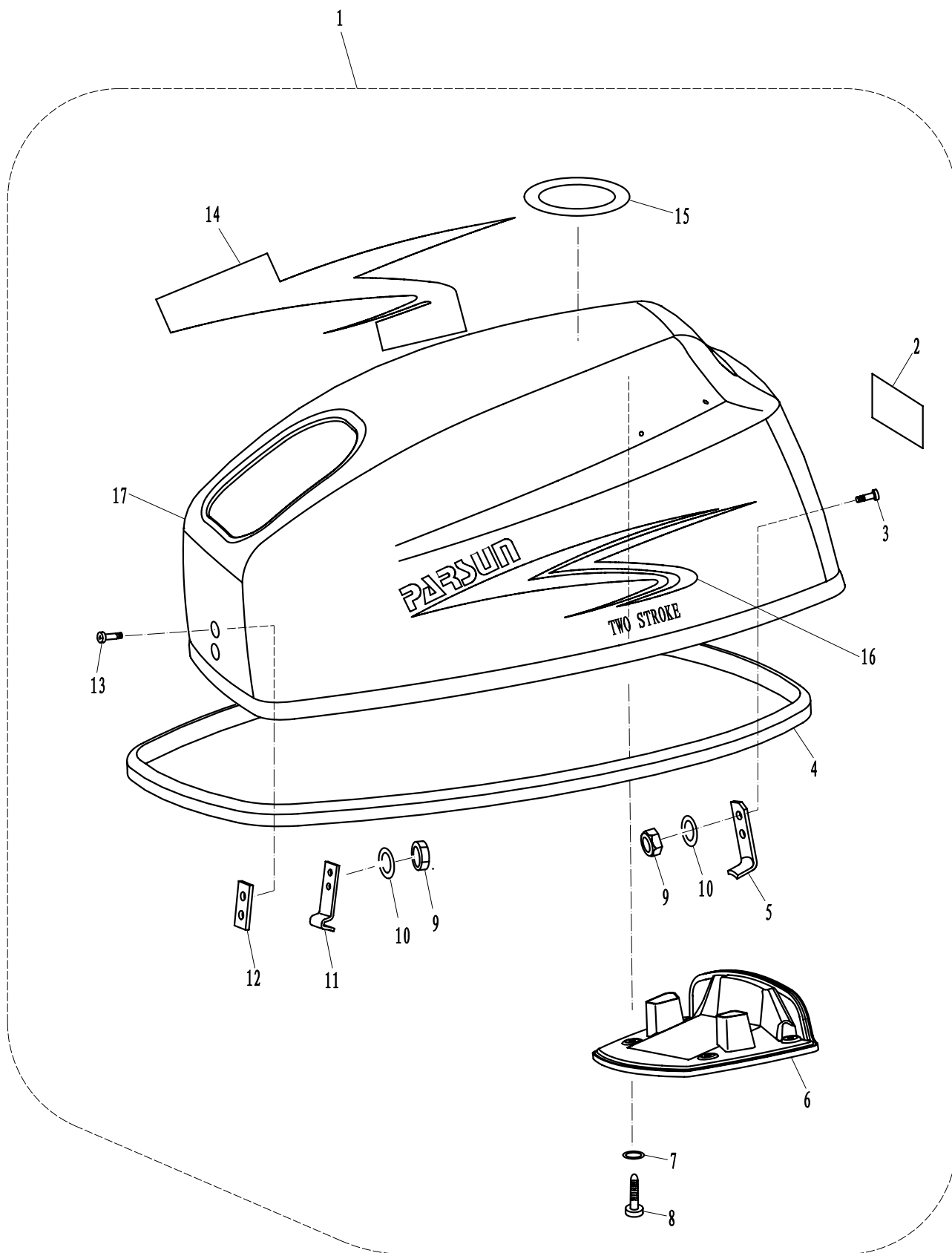
零部件名称: 起动器组件

PARTS NAME: STARTER



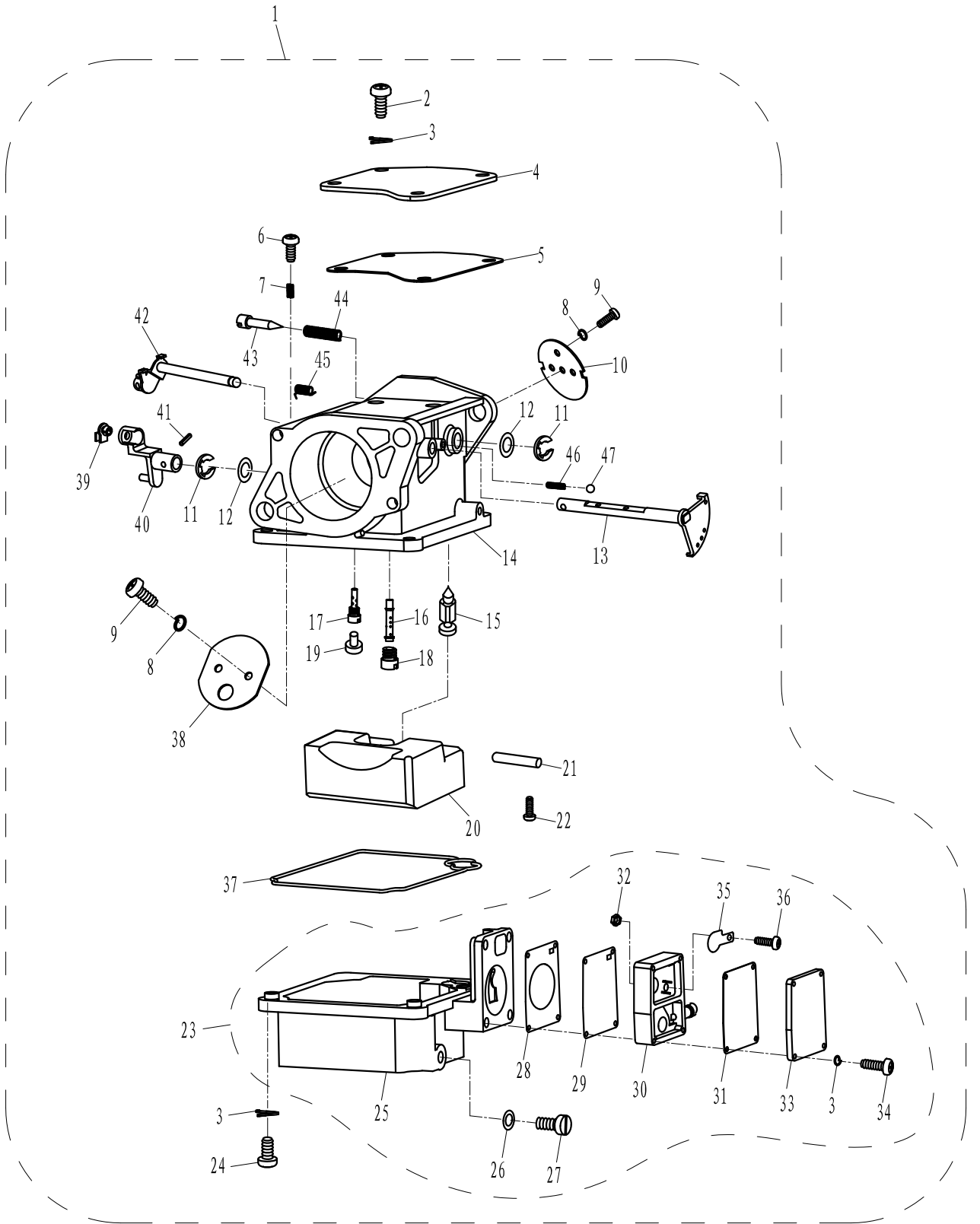
零部件名称: 顶罩组件

PARTS NAME: TOP COWLING ASSY



零部件名称: 化油器总成

PARTS NAME: CARBURETOR ASSY



SN. 参照号码	PART NO. 零件编号	DESCRIPTION 零件名称 (中文)	DESCRIPTION 零件名称 (英文)	QTY 数量					REMARKS 备注
1	T15-04060000	化油器总成	CARBURETOR ASSY	1					
2	GB/T818-M4x10	十字槽盘头螺钉 M4x10	BOLT M4x10	4					
3	GB/T94.1-4	弹性垫圈4	SPRING WASHER 4	12					
4	T15-04060003	面板	PLATE	1					

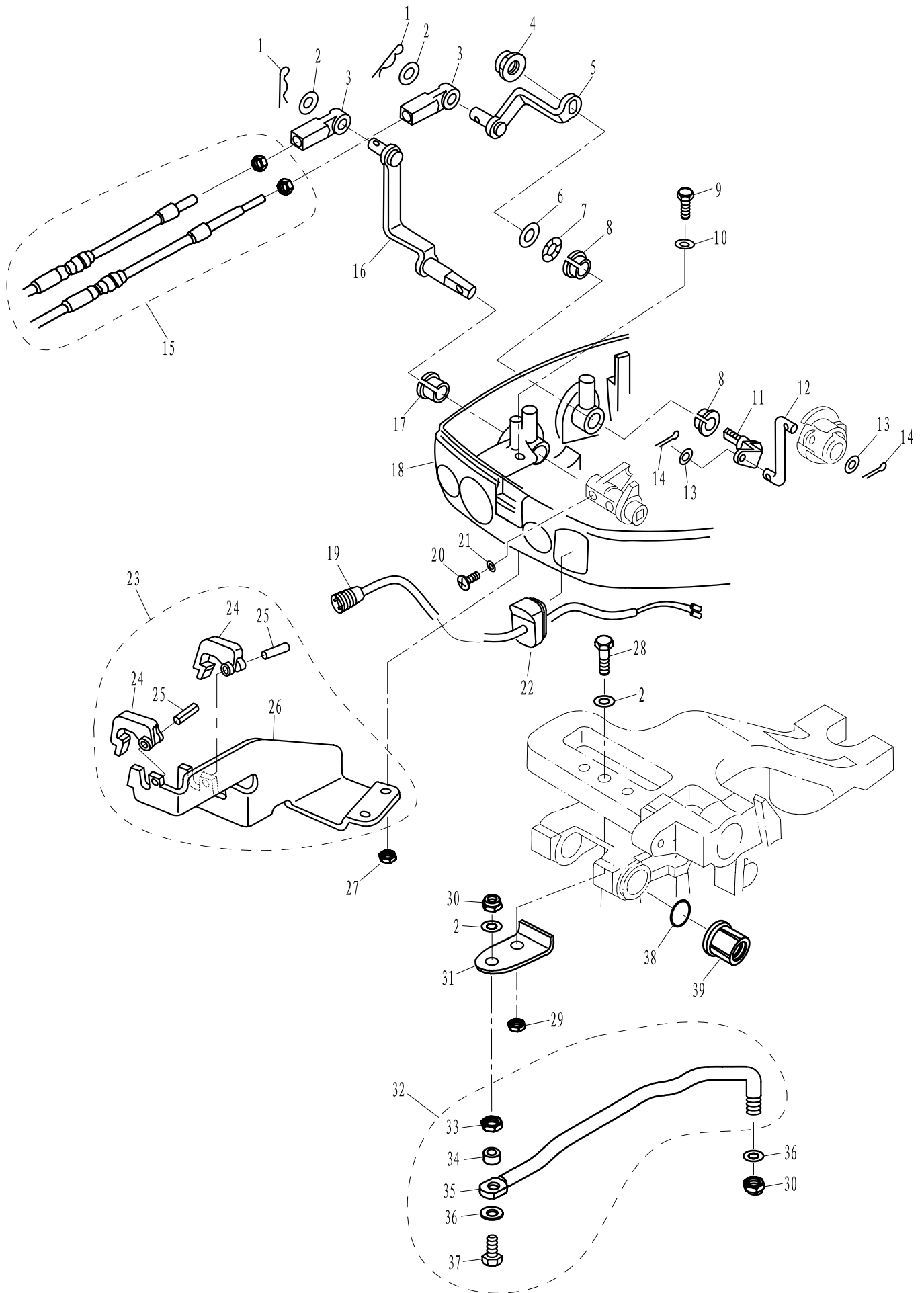
零部件名称: 化油器总成

PARTS NAME: CARBURETOR ASSY

SN. 参照号码	PART NO. 零件编号	DESCRIPTION 零件名称 (中文)	DESCRIPTION 零件名称 (英文)	QTY 数量					REMARKS 备注
5	T15-04060002	衬垫	GASKET	1					
6	T15-04060006	油门止动螺钉	BOLT	1					
7	T15-04060007	油门止动螺钉弹簧	SPRING, THROTTLE	1					
8	GB/T94.1-3	弹性垫圈3	SPRING WASHER 3	4					
9	GB/T818-M3x6	十字槽盘头螺钉 M3x6	BOLT M3x6	1					
10	T15-04060104	油门挡板	APRON, THROTTLE	1					
11	GB/T896-4	开口挡圈 4	CIRCLIP 4	2					
12	T15-04060102	摆杆尼龙衬圈	WASHER	2					
13	T15-04060201	阻风门摆杆	SWING LINK, CHOKE	1					
14	T15-04060001	化油器本体	CARBURETOR BODY	1					
15	T15-04060008	针阀	NEEDLE VALVE	1					
16	T15-04060011	主喷嘴	MAIN NOZZLE	1					
17	T15-04060013	怠速量孔	IDLE JET	1					
18	T15-04060012	主量孔	MAIN JET	1					
19	T15-04060014	胶帽	RUBBER CAP	1					
20	T15-04060009	浮子	FLOAT	1					
21	T15-04060010	浮子销	PIN, FLOAT	1					
22	GB/T818-M4x8	十字槽盘头螺钉 M4x8	SCREW M4x8	1					
23	T15-04060300	油杯组件	BODY, FLOAT CHAMBER	1					
24	GB/T823-M4x14	十字槽小盘头螺钉 M4x14	BOLT M4x14	4					
25	T15-04060301	油杯本体	CUP, FUEL PUMP	1					
26	T15-04060017	放油螺钉密封垫	GASKET, FUEL DRAIN BOLT	1					
27	T15-04060016	放油螺钉	FUEL DRAIN BOLT	1					
28	T15-04060302	燃油泵上隔膜	UPPER DIAPHRAGM, FUEL PUMP	1					
29	T15-04060303	燃油泵壳密封垫	GASKET, FUEL PUMP	1					
30	T15-04060304	燃油泵壳	FUEL PUMP SHELL	1					
31	T15-04060307	燃油泵下隔膜	LOWER DIAPHRAGM, FUEL PUMP	1					
32	GB/T6170-M3	六角螺母 M3	NUT M3	2					
33	T15-04060308	燃油泵下盖	LOWER COVER, FUEL PUMP	1					
34	GB/T818-M4x22	十字槽盘头螺钉 M4x22	SCREW M4x22	4					
35	T15-04060305	单向阀片	CHECK VALVE	1					
36	T15-04060306	阀片螺钉	SCREW M3x5	1					
37	T15-04060015	化油器密封圈	GASKET, CARBURETOR	1					
38	T15-04060202	阻风门挡板	APRON, CHOKE	1					
39	T15-04060022	油门控制连杆接头	TIE-IN, THROTTLE CONTROL ROD	1					
40	T15-04060205	阻风门摆杆摇臂	ROCKER ARM, CHOKE ROD	1					
41	GB/T879.2-2x10	轻型直槽弹性圆柱销 2x10	PIN 2x10	1					
42	T15-04060100	油门摆杆组件	THROTTLE BAR ASSY	1					
43	T15-04060004	怠速螺钉	SCREW, AIR ADJUSTING	1					
44	T15-04060005	怠速螺钉弹簧	SPRING, AIR ADJUSTING	1					
45	T15-04060103	油门摆杆扭簧	SWIST SPRING	1					
46	T15-04060203	摆杆弹簧	SWING LINK SPRING	1					
47	T15-04060204	摆杆钢珠	SWING LINK BALL	1					

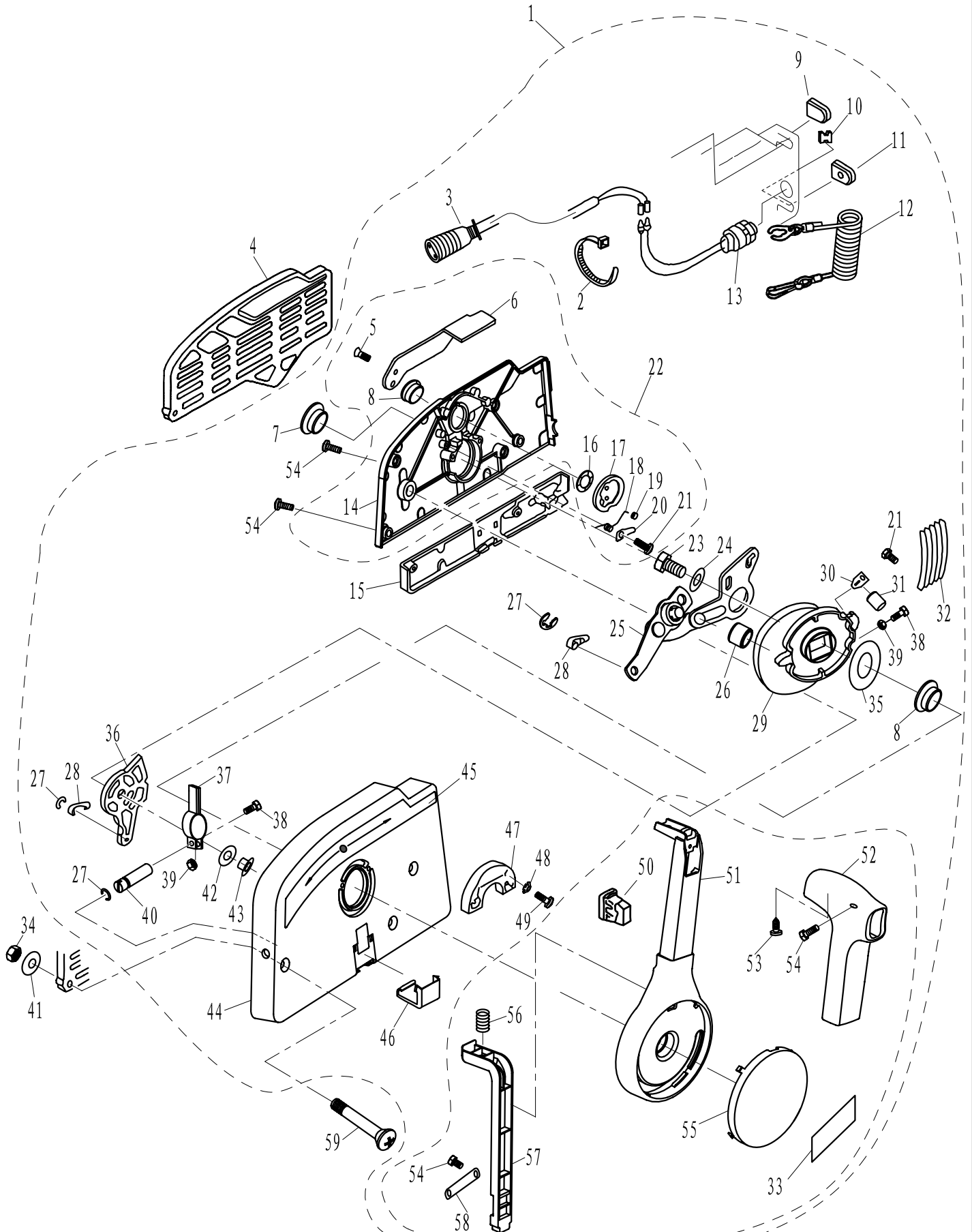
零部件名称: 控制系统(前操)

PARTS NAME: CONTROL SYSTEM (REMOTE CONTROL)



零部件名称: 操纵盒组件

PARTS NAME: CONTROL BOX ASSY



零部件名称:

操纵盒组件

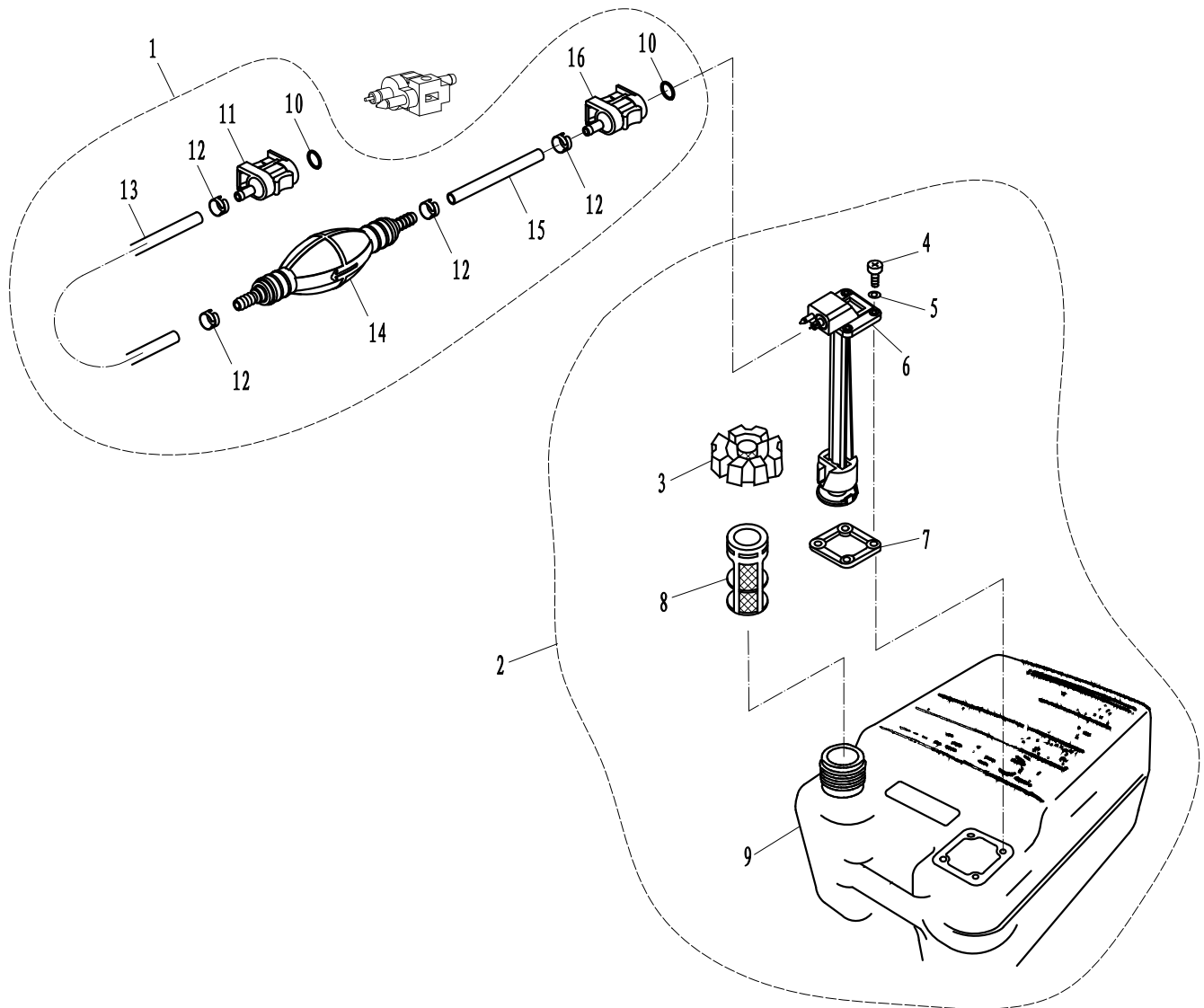
PARTS NAME:

CONTROL BOX ASSY

SN. 参照号码	PART NO. 零件编号	DESCRIPTION 零件名称(中文)	DESCRIPTION 零件名称(英文)	QTY 数量					REMARKS 备注
1	T15-10000000W	操纵盒组件	REMOTE CONTROL BOX	1					
2	HT2.5*60	尼龙扎带	TIE, NYLON 60x2.5	2					
3	T15-10000100W	操纵线索组件	CONTROL WIRE ASSY	1					
4	F15-11000002W	操纵盒安装板	MOUNT PLATE, CONTROL BOX	1					
5	GB/T819.2-M5x12	十字槽沉头螺钉 M5x12	SCREW M5X12	2					
6	F15-13020007W	油门微调手柄	NEUTRAL THROTTLE LEVER	1					
7	F15-13000005W	凸轮机构衬套	BUSHING, CAM	2					
8	F15-13020006W	微调手柄衬套	BUSHING, NEUTRAL THROTTLE LEVER	1					
9	T15-10000001W	操纵盒座橡胶闷头A	RUBBER PLUG A	1					
10	F15-11000001W	钢索橡胶垫块	RUBBER BLOCK	1					
11	T15-10000002W	操纵盒座橡胶闷头B	RUBBER PLUG B	1					
12	F4-01090401	引擎停止安全索	STOPER, HANG ROPE ASSY	1					
13	F15-13000400W	急停开关组件	ENGINE STOP SWICH ASSY	1					
14	F15-13020001W	操纵盒盖	COVER, CONTROL BOX	1					
15	F15-13000013W	操纵盒小盖板	SMALL COVER, CONTROL BOX	1					
16	F15-13020005W	波形垫圈 B	WAVE WASHER B	1					
17	F15-13020100W	锁紧圆盘组件	LOCKED DISK ASSY	1					
18	F15-13020002W	扭簧	TORSION SPRING	1					
19	F15-13020003W	互锁滑轮	LOCKED PULLEY	1					
20	F15-13020004W	滑轮弹簧压板	SPRING PLATE, PULLEY	1					
21	GB/T818-M4x6	十字槽盘头螺钉M4x6	SCREW M4x6	2					
22	F15-13020000W	操纵盒盖组件	COVER ASSY, CONTROL BOX	1					
23	GB/T5783-M8x30	六角螺栓 M8x30	BOLT M8x30	1					
24	GB/T97.1-8	平垫圈 8	WASHER 8	1					
25	F15-13000500W	油门控制机构	MACHINE, THROTTLE CONTROL	1					
26	F15-13000007W	销轴垫圈	WASHER	1					
27	GB/T896-6	开口挡圈 6	COTTER 6	3					
28	F25-07000007W	操控钢索接头 B	CONTROL CABLE TIE-IN B	2					
29	F15-13000002W	凸轮机构	CAM MECHANISM	1					
30	F15-13000003W	档位弹簧片压板	SPRING PLATE	1					
31	F15-13000004W	档位滑轮	PULLEY	1					
32	F15-13000001W	档位弹簧片 B	SHIFT SPRING LEAF B	5					
33	F15-12000016W	标贴 16	STICKER 16	1					
34	GB/T6170-M6	六角螺母 M6	NUT M6	3					
35	F15-13000008W	凸轮机构减磨片	ANTIFRICATION WASHER, CAM	1					
36	F15-13000700W	变档摆杆	SHIFT SWING LINK	1					
37	F15-13000601W	调节器固定板组件	ADJUST FIXED PLATE	1					
38	GB/T5783-M5x25	六角螺栓 M5x25	BOLT M5x25	2					
39	GB/T6170-M5	六角螺母 M5	NUT M5	2					
40	F15-13000602W	调节器销轴	ADJUSTER PIN	1					
41	GB/T5287-6	特大垫圈 6	BIG WASHER 6	3					
42	F15-13000006W	摆杆减磨片	ANTIFRICATION WAHSER, SHIFTING	1					
43	F15-13000011W	变档摆杆衬套	BUSHING, SHIFT SWING LINK	1					

零部件名称: 燃油箱

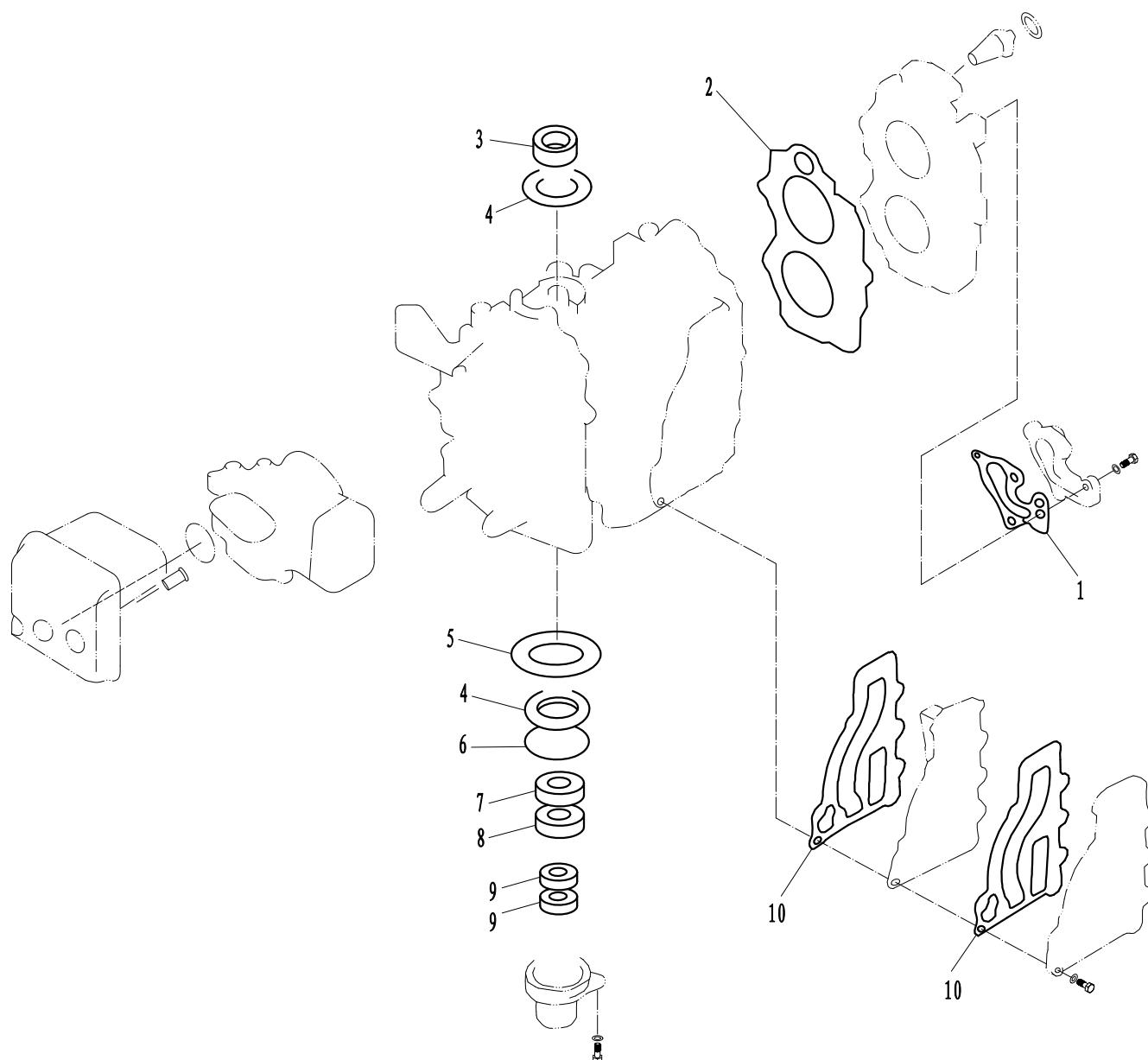
PARTS NAME: FUEL TANK



SN. 参照号码	PART NO. 零件编号	DESCRIPTION 零件名称(中文)	DESCRIPTION 零件名称(英文)	QTY 数量					REMARKS 备注
1	F15-09000000	油管总成	FUEL LINE ASSY	1					
2	F15-10000000	油箱组件	FUEL TANK ASSY	1					
3	F15-10010000	油箱盖组件	FUEL TANK CAP ASSY	1					
4	GB/T818-M5x16	十字槽盘头螺钉 Mx16	SCREW M5x16	4					
5	GB/T97.1-5	平垫圈 5	WASHER 5	4					
6	F15-10020000	油量表总成	OLEOMETER ASSY	1					
7	F15-10000003	衬垫	GASKET	1					
8	F15-10000002	油箱滤网	STRAINER, FUEL TANK	1					
9	F15-10000001	油箱本体	FUEL TANK	1					
10	JASO F404-78-31	O形圈7.8x3.1	O-RING 7.8x3.1	2					
11	F15-09020000	燃油接头组件(出)	FUEL LINE CONNECTOR (ENGINE SIDE, FEMALE)	1					
12	F15-09000003	卡箍 B	CLAMP B	4					
13	F15-09000001	油管A(φ10xφ6φ2080)	FUEL LINE A(φ10xφ6x2080)	1					
14	F15-09030000	手动油泵组件	PRIMER BULB ASSY	1					
15	F15-09000002	油管B(φ10xφ6φ850)	FUEL LINE B(φ10xφ6x850)	1					
16	F15-09010000	燃油接头组件(进)	FUEL LINE CONNECTOR (FUEL TANK SIDE, FEMALE)	1					

零件名称: 附录1 (修理套件)

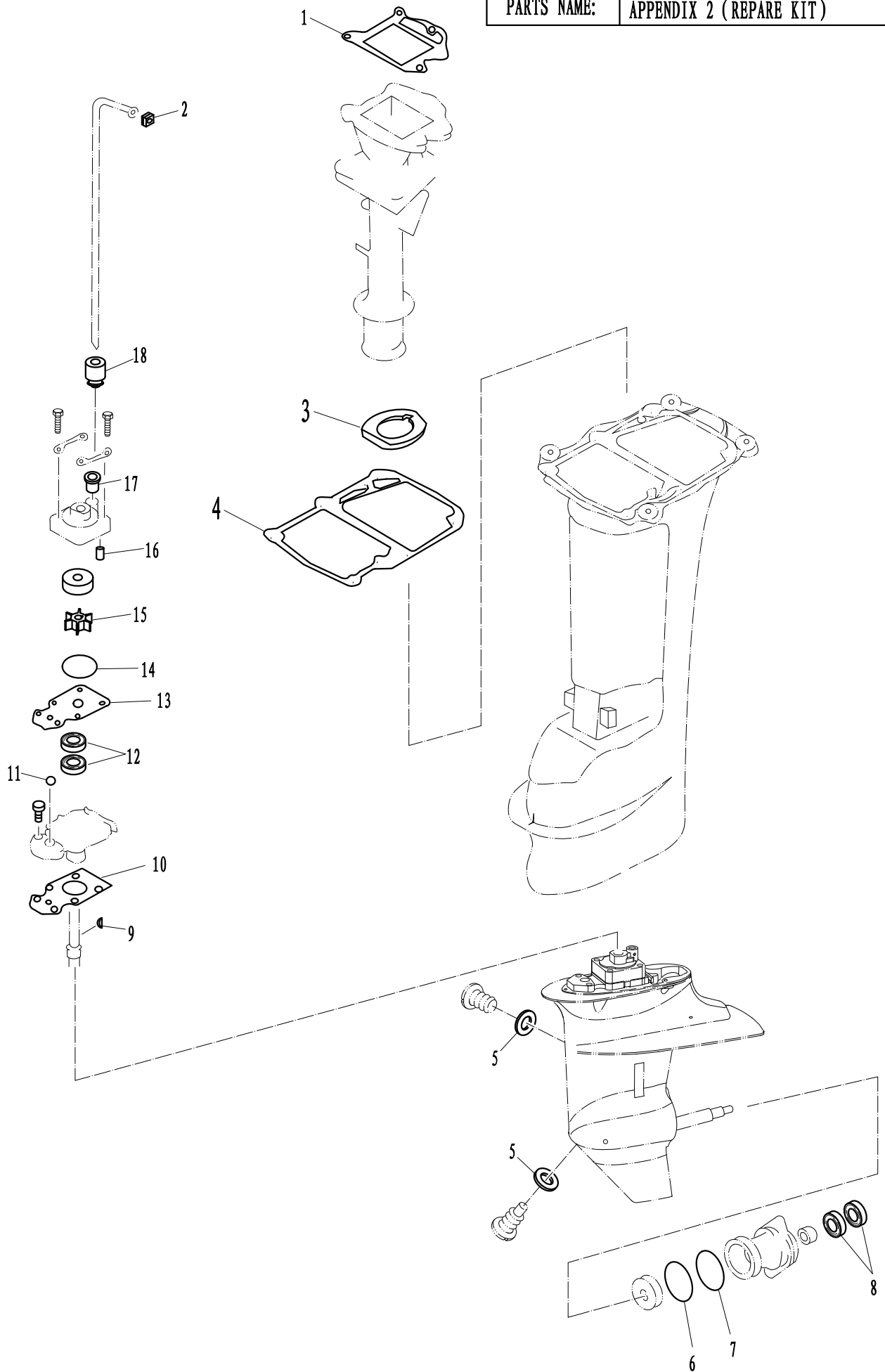
PARTS NAME: APPENDIX 1 (REPAIR KIT)



SN. 参照号码	PART NO. 零件编号	DESCRIPTION 零件名称(中文)	DESCRIPTION 零件名称(英文)	QTY 数量					REMARKS 备注
1	T15-0400003	节温器盖垫	GASKET, COVER	2					
2	T15-0400100	缸头复合垫	GASKET, CYLINDER HEAD	1					
3	T15-04020107	曲轴油封 23x36x13-2	OIL SEAL 23x36x13-2	2					
4	T15-04020002	轴承盖板	COVER PLATE, BEARING	2					
5	T15-04020001	曲轴定位片	FIXED WASHER, CRANKSHAFT	1					
6	T15-04010402	油封壳体O形圈	O-RING	1					
7	T15-04010403	油封壳体油封A 25x38x7-2	OIL SEAL A 25x38x7-2	1					
8	T15-04010404	油封壳体油封B 25x38x6	OIL SEAL B 25x38x6	1					
9	F15-04000008	骨架油封 13x25x6	OIL SEALSKELETON 13x25x6	2					
10	T15-04010002	排气盖板垫	GASKET, EXHAUST COVER	2					

零部件名称: 附录2 (修理套件)

PARTS NAME: APPENDIX 2 (REPAIR KIT)



零部件名称:

零件目录检索表

PARTS NAME:

PARTS CATALOGUE INDEX

零件代号 PART NO.	页码/序号 PAGE/NO.	零件代号 PART NO.	页码/序号 PAGE/NO.	零件代号 PART NO.	页码/序号 PAGE/NO.
NGK BPR7HS	22-6	F15-01010105	1-6	F15-06000011	14-48
F4-01010003	2-42	F15-01010200	2-43	F15-06000012	14-49
F4-01010004	2-31	F15-01010201	1-4	F15-06000013	13-35
F4-01010005	2-29	F15-01010202	1-8	F15-06000014	14-43
F4-01090003	6-12	F15-01010302	2-11	F15-06000015	16-7
F4-01090006	6-28	F15-01010303	4-12	F15-06000016	16-10
F4-01090007	6-27	F15-01010304	2-25	F15-06000020-1	14-46
F4-01090100	6-15	F15-01010305	2-32	F15-06010000	13-6
F4-01090200	6-21	F15-01010306	2-26	F15-06020001	13-28
F4-01090401	35-12	F15-01010307	2-28	F15-06020002	13-32
F4-01090401	6-18	F15-01010308	2-12	F15-06020003	13-33
F4-03000023	13-2	F15-01010309	2-13	F15-06020004	13-29
F4-03000024	13-3	F15-01010311	2-15	F15-06020005	16-14
F4-04000030	25-10	F15-01010312	2-33	F15-06040000L	13-34
F4-04060002	20-11	F15-01010313	2-34	F15-06040000S	
F4-04130013	27-18	F15-01010314	2-38	F15-06050000	14-38
F4-04130100	27-28	F15-01010315	2-37	F15-06060001	14-41
F4-04130101	27-19	F15-01010316	2-23	F15-06060002	14-39
F4-04130102	27-20	F15-01010317-1	2-39	F15-06060004	14-42
F4-05000200	25-1	F15-01010317-2	2-36	F15-06070001	13-12
F4-06000004	29-7	F15-01010317-3	2-35	F15-06070002	13-11
F4-06000005	29-5	F15-01010400	2-18	F15-06070003	13-8
F4-06000006	29-12			F15-06070004	13-7
F4-08000104	6-19	F15-02000004	16-15	F15-06070005	13-9
F4-08000105	6-22	F15-02000006	16-17	F15-06070006	13-10
F8-03000005	9-28	F15-04000005	22-18	F15-06070007	13-13
		F15-04000008	24-18	F15-06080000	13-22
		F15-05000004	9-4	F15-06080001	13-19
F15-00000006	7-8	F15-05000005	9-3	F15-06080002	13-17
	22-13	F15-05000007	9-16	F15-06080003	13-18
F15-00000008	6-7	F15-05000008	9-20	F15-06080004	13-21
F15-00000009	6-8	F15-05000009	9-18	F15-06080005	13-14
F15-00000012	6-11	F15-05000023	9-6	F15-06080006-1	13-15
	33-1	F15-05000033	9-19	F15-06080006-2	
F15-00000013	14-40	F15-05000035	11-36	F15-06080006-3	
	16-18	F15-05010001	20-15	F15-06080006-4	
F15-01000001	4-10	F15-05030002	9-21	F15-06080006-5	
F15-01000002	4-11	F15-06000001	13-1	F15-06090000-11	16-8
F15-01000003	4-9	F15-06000002	16-20	F15-06090000-8	
F15-01000004	4-15	F15-06000003	16-2	F15-07000004	18-14
F15-01000006	4-17	F15-06000004	16-6	F15-07000016	11-15
F15-01010001	1-3	F15-06000005	13-25		20-18
F15-01010002	1-10	F15-06000006	13-27	F15-07020005	24-24
F15-01010003	1-2	F15-06000007	14-36	F15-07020006	24-25
F15-01010006	2-20	F15-06000008	14-47	F15-07080000	25-4
F15-01010007	1-1	F15-06000009		F15-07080001	25-5
F15-01010100	2-16	F15-06000010-1	13-4	F15-07080002	25-6
F15-01010102	2-30	F15-06000010-2		F15-07130001	27-9
F15-01010103	1-5	F15-06000010-3		F15-07130002	27-10
F15-01010104	1-7	F15-06000010-4		F15-07130107	27-7

零部件名称:

零件目录检索表

PARTS NAME:

PARTS CATALOGUE INDEX

零件代号 PART NO.	页码/序号 PAGE/NO.	零件代号 PART NO.	页码/序号 PAGE/NO.	零件代号 PART NO.	页码/序号 PAGE/NO.
F15-07130201	27-5	F15-13010008W	36-58	T15-02000001L	7-1
F15-07130202	27-13	F15-13010009W	36-55	T15-02000001S	
F15-07130203	27-11	F15-13010010W	36-47	T15-02000002	4-19
F15-07130204	27-12	F15-13020000W	35-22	T15-02000003	4-7
F15-07130205	27-17	F15-13020001W	35-14	T15-02000004L	16-16
F15-08000004	29-11	F15-13020002W	35-18	T15-02000004S	
F15-09000000	37-1	F15-13020003W	35-19	T15-02000005	7-9
F15-09000001	37-13	F15-13020004W	35-20	T15-02010000	4-4
F15-09000002	37-15	F15-13020005W	35-16	T15-02010100	4-22
F15-09000003	37-12	F15-13020006W	35-8	T15-03000001	9-12
F15-09010000	37-16	F15-13020007W	35-6	T15-03000001W	33-18
F15-09020000	37-11	F15-13020100W	35-17	T15-03000002	9-14
F15-09030000	37-14			T15-03000007	9-15
F15-10000000	37-2			T15-03000008	9-11
F15-10000001	37-9	F20-03000202W	33-24	T15-03000010	9-17
F15-10000002	37-8	F20-04050000	16-8	T15-03000011	9-10
F15-10000003	37-7	F25-01010012W	33-39	T15-03000012	9-7
F15-10010000	37-3	F25-05000016	18-20	T15-03000015W	33-22
F15-10020000	37-6	F25-05160002	11-1	T15-03000021W	33-8
F15-11000001W	35-10	F25-07000005W	33-3	T15-03000022W	33-7
F15-11000002W	35-4	F25-07000006W	33-30	T15-03000023W	33-17
F15-11010000W	33-15	F25-07000007W	35-28	T15-03000024W	33-12
F15-11020000W	33-32	F25-07000303W	33-34	T15-03000100W	33-11
F15-11020001W	33-35	F25-07000304W	33-33	T15-03000200W	33-5
F15-11020002W	33-37	F40-05000021	25-9	T15-03000300W	33-16
F15-11020003W	33-31			T15-03000400W	33-23
F15-12000013W	36-45	T15-00000001	4-2	T15-03000401W	33-26
F15-12000016W	35-33	T15-00000002	9-13	T15-03000500	9-5
F15-13000001W	35-32	T15-00000003	6-10	T15-03010001	20-14
F15-13000002W	35-29	T15-00000004	7-7	T15-03010002	20-17
F15-13000003W	35-30	T15-00000005	4-20	T15-03010003	20-16
F15-13000004W	35-31	T15-00000006	4-18	T15-03010004	20-19
F15-13000005W	35-7	T15-00000007	4-21	T15-04000001	22-5
F15-13000006W	35-42	T15-00000008	6-9	T15-04000002	22-17
F15-13000007W	35-26	T15-00000100-A	9-22	T15-04000003	22-8
F15-13000008W	35-35	T15-00000101-A	9-26	T15-04000004	22-9
F15-13000011W	35-43	T15-00000102-A	9-27	T15-04000005	22-11
F15-13000012W	36-44	T15-01000001	6-17	T15-04000006	22-20
F15-13000013W	35-15	T15-01000002	6-16	T15-04000007	18-11
F15-13000015W	36-46	T15-01000003	6-14	T15-04000008	18-9
F15-13000400W	35-13	T15-01000004	6-4	T15-04000009	18-10
F15-13000500W	35-25	T15-01000005	6-3	T15-04000010	22-7
F15-13000601W	35-37	T15-01010001	4-8	T15-04000011	18-2
F15-13000602W	35-40	T15-01010301	2-14	T15-04000012	18-1
F15-13000700W	35-36	T15-01020000	6-32	T15-04000013	22-10
F15-13010001W	36-51	T15-01020001	6-23	T15-04000014	11-16
F15-13010002W	36-52	T15-01020002	6-29	T15-04000015	20-23
F15-13010003W	36-50	T15-01020003	6-13	T15-04000016	11-33
F15-13010004W	36-57	T15-01020100	6-1	T15-04000017	11-34
F15-13010005W	36-56	T15-01020300	6-26	T15-04000018	11-30

零部件名称:

零件目录检索表

PARTS NAME:

PARTS CATALOGUE INDEX

零件代号 PART NO.	页码/序号 PAGE/NO.	零件代号 PART NO.	页码/序号 PAGE/NO.	零件代号 PART NO.	页码/序号 PAGE/NO.
T15-0400019	11-27	T15-04020500	24-27	T15-04060300	31-23
T15-0400020	11-25	T15-04030001	11-22	T15-04060301	31-25
T15-0400021	11-26	T15-04030002	11-21	T15-04060302	31-28
T15-0400022	11-24	T15-04030003	11-12	T15-04060303	31-29
T15-0400023	25-11	T15-04030004	11-17	T15-04060304	31-30
T15-0400024	18-17	T15-04030005	11-14	T15-04060305	31-35
T15-0400026	7-2	T15-04030006	11-13	T15-04060306	31-36
T15-0400027	7-3	T15-04030007	11-11	T15-04060307	31-31
T15-0400028	7-6	T15-04030101	11-6	T15-04060308	31-33
T15-0400029	11-35	T15-04030102	11-9	T15-04070000	27-29
T15-04000100	22-4	T15-04030103	11-8	T15-04070001	27-21
T15-04000200	18-8	T15-04040000	18-12	T15-04070002	27-22
T15-04000300	18-7	T15-04040003	11-2	T15-04070003	27-25
T15-04000400	18-3	T15-04040004	11-3	T15-04070004	27-24
T15-04000500	20-10	T15-04040005	11-5	T15-04070005	27-15
T15-04000504	20-12	T15-04050000	20-1	T15-04070006	27-8
T15-04000505	20-22	T9.9-04050000		T15-04070101	27-3
T15-04000600	11-31	T15-04050001	20-9	T15-04070102	27-4
T15-04000700	11-32	T15-04050002	20-8	T15-05000000	29-1
T15-04000800	11-38	T9.9-04050002		T15-05000001	29-17
T15-04000900	18-15	T15-04050100	20-2	T15-05000002	29-4
T15-04001100	18-21	T15-04060000	20-5	T15-05000003	29-6
T15-04001200	18-18	T15-04060000	30-1	T15-06000001	29-16
T15-04010002	22-15	T15-04060001	31-14	T15-06000002	29-14
T15-04010003	22-16	T15-04060002	31-5	T15-06000003	29-2
T15-04010103	22-2	T15-04060003	30-4	T15-06000004	
T15-04010200	22-12	T15-04060004	31-43	T15-06000005	29-15
T15-04010202	22-14	T15-04060005	31-44	T15-07010000	22-1
T15-04010401	24-19	T15-04060006	31-6	T15-08000000L	14-51
T15-04010402	24-15	T15-04060007	31-7	T15-08000000S	
T15-04010403	24-16	T15-04060008	31-15	T15-08010000L	14-45
T15-04010404	24-17	T15-04060009	31-20	T15-08010000S	
T15-04010500	22-19	T15-04060010	31-21	T15-10000000W	35-1
T15-04020000A	24-13	T15-04060011	31-16	T15-10000001W	35-9
T15-04020001	24-14	T15-04060012	31-18	T15-10000002W	35-11
T15-04020002	24-2	T15-04060013	31-17	T15-10000100W	35-3
T15-04020101	24-12	T15-04060014	31-19	T15-13000500W	33-19
T15-04020102	24-4	T15-04060015	31-37	TE15-04000018	14-50
T15-04020103	24-6	T15-04060016	31-27	TE15-04020000	16-8
T15-04020104	24-11	T15-04060017	31-26		
T15-04020105	24-9	T15-04060022	31-39		
T15-04020106	24-5	T15-04060100	31-42		
T15-04020107	24-1	T15-04060102	31-12		
T15-04020108	24-8	T15-04060103	31-45		
T15-04020201A	24-7	T15-04060104	31-10		
T15-04020202	24-26	T15-04060201	31-13		
T15-04020205	24-22	T15-04060202	31-38		
T15-04020206	24-23	T15-04060203	31-46		
T15-04020300	24-10	T15-04060204	31-47		
T15-04020400	24-28	T15-04060205	31-40		