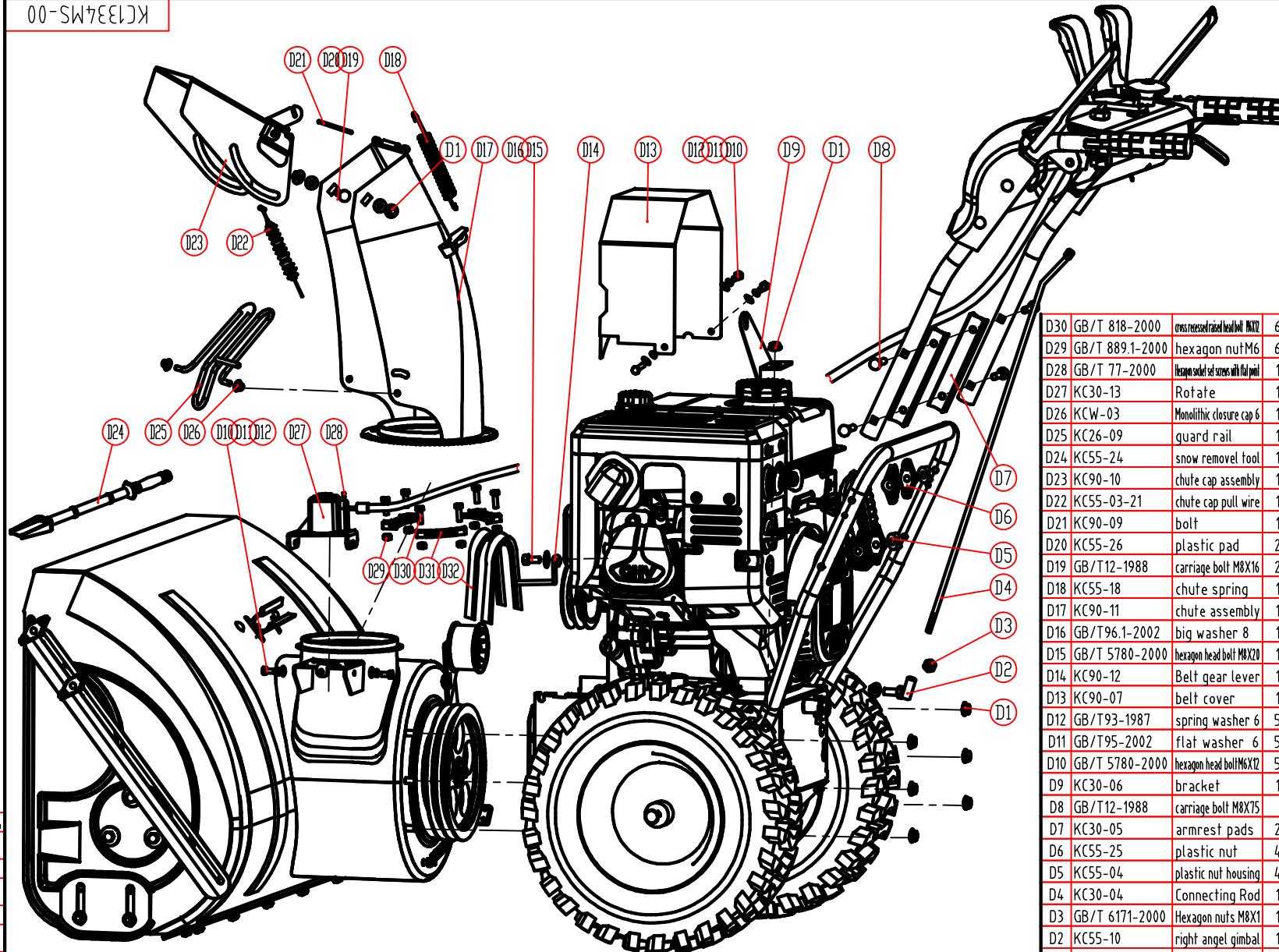


KC1334MS-00



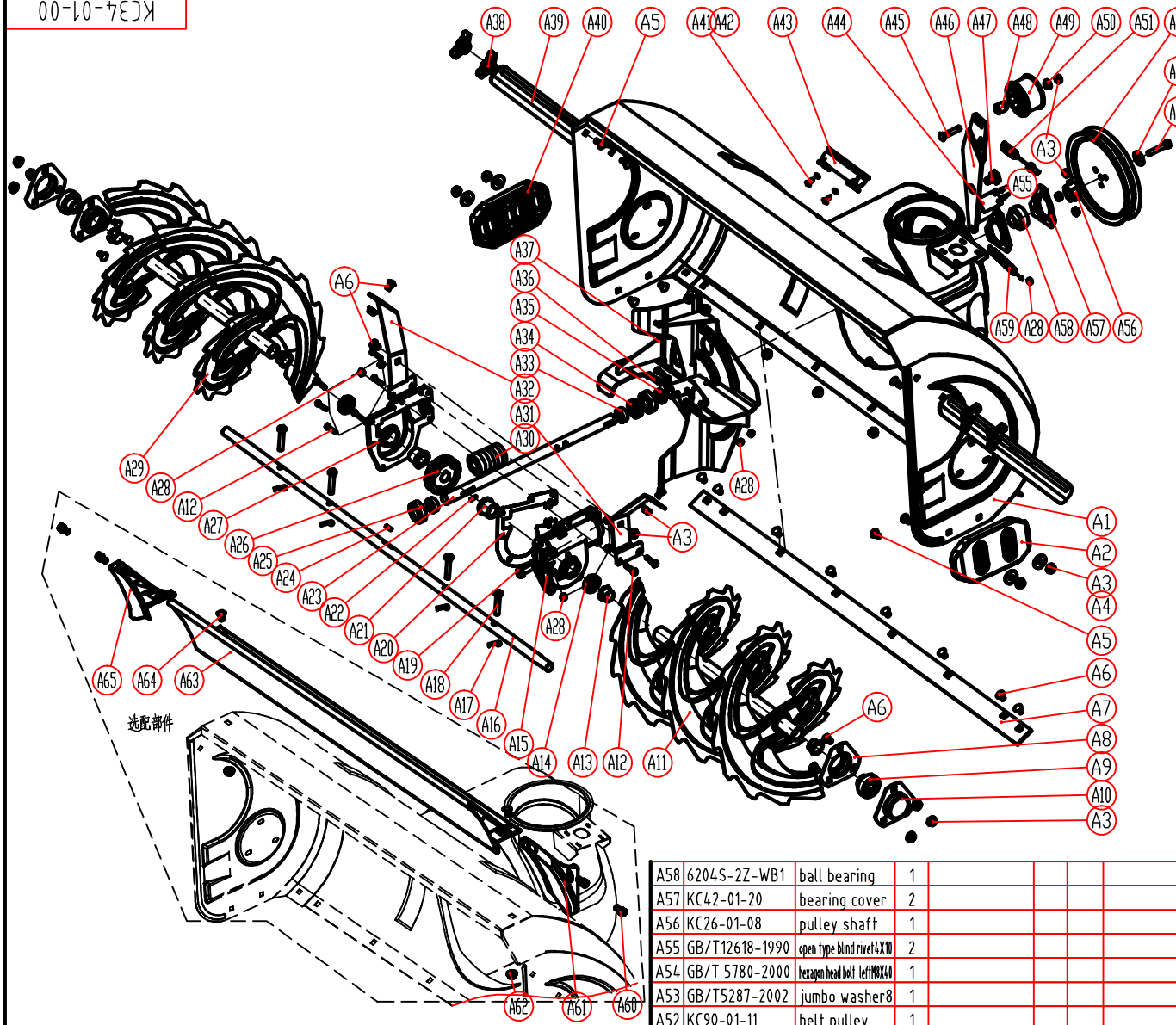
D30	GB/T 818-2000	cross recessed head bolt M12	6				M6X12
D29	GB/T 889.1-2000	hexagon nut M6	6				
D28	GB/T 77-2000	hexagon socket set screws with flat point	1				M6X8
D27	KC30-13	Rotate	1				
D26	KCW-03	Monolithic closure cap 6	1				
D25	KC26-09	guard rail	1				
D24	KC55-24	snow removal tool	1				
D23	KC90-10	chute cap assembly	1				
D22	KC55-03-21	chute cap pull wire	1				
D21	KC90-09	bolt	1				
D20	KC55-26	plastic pad	2				
D19	GB/T12-1988	carriage bolt M8X16	2				
D18	KC55-18	chute spring	1				
D17	KC90-11	chute assembly	1				
D16	GB/T96.1-2002	big washer 8	1				
D15	GB/T 5780-2000	hexagon head bolt M8X20	1				
D14	KC90-12	Belt gear lever	1				
D13	KC90-07	belt cover	1				
D12	GB/T93-1987	spring washer 6	5				
D11	GB/T95-2002	flat washer 6	5				
D10	GB/T 5780-2000	hexagon head bolt M6X12	5				
D9	KC30-06	bracket	1				
D8	GB/T12-1988	carriage bolt M8X75					
D7	KC30-05	armrest pads	2				
D6	KC55-25	plastic nut	4				
D5	KC55-04	plastic nut housing	4				
D4	KC30-04	Connecting Rod	1				
D3	GB/T 6171-2000	Hexagon nuts M8X1	1				
D2	KC55-10	right angel gimbal	1				
D1	GB/T 6183.1-2000	hex flange nut M8	9				

借通附件登记  
 描图  
 校描  
 旧底图总号  
 签字  
 日期

D32	13X1005	belt	2				
D31	KC55-23	fixed block	3				

ying		KC MECHANICAL&ELECTRICAL	
AZ	1:4	KC1334MS-00	

00-10-7C3X



A65	KC26-01-11	Left Cover	1						
A64	GB/T12-1988	carriage bolt M8X20	2						
A63	KC34-01-06	Higher Panel	1						
A62	GB/T 6183.1-2000	hex flange lock nut M8	2						
A61	KC26-01-09	Right Cover	1						
A60	GB/T 70.1-1985	hexagon socket cap screw M8X4	4						
A59	KC55-01-31	spring5	1						

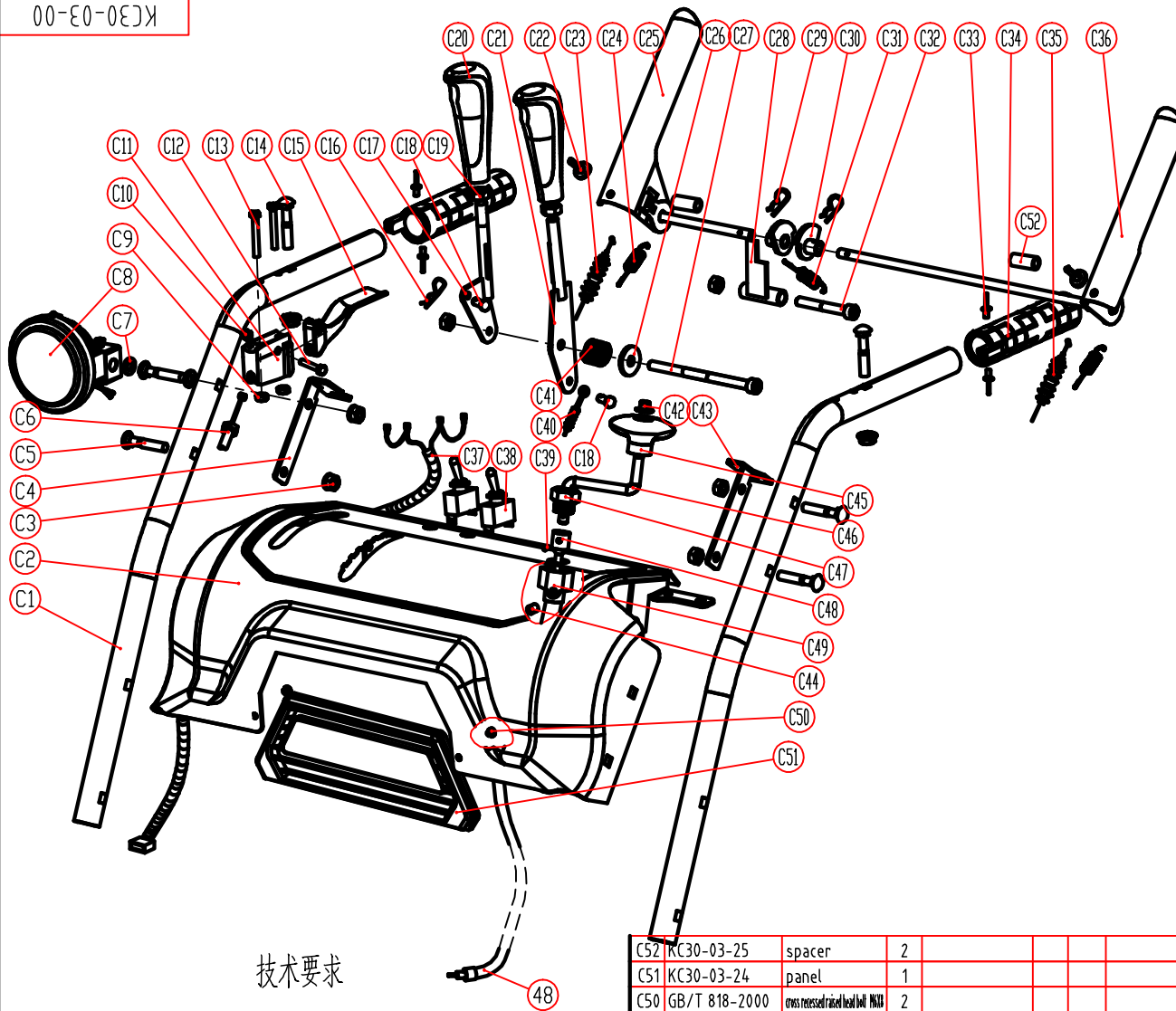
A58	6204S-2Z-WB1	ball bearing	1						
A57	KC42-01-20	bearing cover	2						
A56	KC26-01-08	pulley shaft	1						
A55	GB/T12618-1990	open type blind rivet4X10	2						
A54	GB/T 5780-2000	hexagon head bolt leftM8X40	1						
A53	GB/T5287-2002	jumbo washer8	1						
A52	KC90-01-11	belt pulley	1						
A51	KC55-01-28	auger pull wire	1						
A50	KC55-01-26	pad	1						
A49	KC55-01-27	big tension pulley	1						
A48	KC55-01-24	pad	1						
A47	KC90-01-12	hexagon screw	1						
A46	KC90-01-10	fixed plate	1						
A45	GB/T12-1988	carriage bolt M8X40	1						

A44	KC90-01-18	shave plate	1						
A43	KC55-01-21	bracket for saw removal tool	1						
A42	GB/T95-2002	flat washer 6	2						垫圈6
A41	GB/T 845-1985	parallel key with rounded ends	2						ST4.2X13
A40	KC42-01-14	slide shoe	2						
A39	KC26-01-06	Housing Strut	2						
A38	KC55-25	plastic nut	4						
A37	KC42-01-19	fan	1						
A36	GB/T 5780-2000	hexagon head bolt M6X35	2						
A35	GB13871-1993	seal ring 20X35X7	1						
A34	GB/T301-1995	thrust ball bearing 51104	1						
A33	KC42-01-18	Worm Shaft Sleeve	2						
A32	KC90-01-07	bracket left	1						
A31	KC90-01-06	bracket right	1						
A30	KC42-01-17	Worm	1						
A29	KC34-01-05	auger left	1						
A28	GB/T 889.1-2000	hex nut with nonmetal insertM6	10						
A27	KC42-01-15	worm housing left	1						
A26	KC42-01-14	worm gear	1						
A25	GB/T276-1994	bearing6004	2						
A24	GB/T1096-1979	parallel keyA8X7X25	1						
A23	KC42-01-13	Worm Shaft	1						
A22	GB/T1096-1979	parallel keyA6X6X20	1						
A21	KC42-01-12	output shaft sleeve(Φ25)	2						
A20	KC42-01-11	paper pad	1						
A19	GB/T 5780-2000	hex head flange boltM10X10	1						
A18	KC42-01-10	safety bolt	4						
A17	KC55-29	individual pin pinchcock	4						
A16	KC34-01-04	output shaft	1						
A15	KC42-01-08	worm housing right	1						
A14	GB13871-1993	frame work sealing ringSXSXS	2						
A13	KC42-01-07	small bushing	4						
A12	GB/T 5780-2000	hexagon head bolt M6X30	8						
A11	KC34-01-03	quger right	1						
A10	KC42-01-05	Sealed bearing Seat	2						
A9	SB205	ball bearing	2						
A8	KC42-01-04	Bearing Seat	2						
A7	KC34-01-02	42'shave plate	1						
A6	GB/T12-1988	carriage bolt M8X15	11						
A5	GB/T12-1988	carriage bolt M8X20	8						
A4	GB/T96.2-2002	big washer8	4						8
A3	GB/T 6183.1-2000	hex flange lock nutM8	25						
A2	KC42-01-02	slide shoe	2						
A1	KC34-01-01	housing assembly	1						

ying 2011.4 1:6	KC MECHANICAL & ELECTRICAL	KC34-01-00
-----------------------	----------------------------	------------



00-E0-0E3X



技术要求

1. 装配前, 所有零件应用于干净、无杂物、异物。
2. 装配过程, 表面油漆不得划伤、碰撞漆等。
3. 压下序号25手柄和33手柄再放开33手柄能保持下压状态。
4. 先粘贴面板操作标贴, 在安装电气开关。

C52	KC30-03-25	spacer	2					
C51	KC30-03-24	panel	1					
C50	GB/T 818-2000	cross recessed raised hex bolt M6X8	2					
C49	KC30-03-23	Fixed seat of Rocker 1	1					
C48	KC30-03-22	Flexible Shaft	1					
C47	KC30-03-21	Fixed Seat of Rocker 2	1					
C46	KC30-03-20	small rocker	1					
C45	KC30-03-19	Rocker Handle	1					
C44	GB/T 77-2000	Hexagon socket set screws M6X8	1			M6X8		
C43	KC30-03-15	Wire Seat Right	1					
C42	KCW-01	Monolithic closure cap 8	1					
C41	KC55-03-04	pretighten spring	1					
C40	KC55-03-21	chute cap pull wire	1					

C39	GB/T 77-2000	screw M4X6	1					
C38	HY64	arc switch	2					
C37	KC30-03-14	input wire	1					
C36	KC30-03-13	handle left	1					
C35	KC90-01-12	auger pull wire	1					
C34	KC90-04-04	Heated Handle	2					
C33	GB/T 12618-1990	open type blind rivet 3X8	4					
C32	GB/T 70.1-1985	hexagon socket cap screw M6X10	1					
C31	KC55-03-11	stopping spring	1					
C30	KC55-03-13	cam	2					
C29	KC55-03-23	individual pen pinchcock	2					
C28	KC55-03-12	stopping part	1					
C27	GB/T 70.1-1985	hexagon socket cap screw M6X20	1					
C26	GB/T 5287-2002	jumbo washer 8	1					
C25	KC30-03-12	handle right	1					
C24	KC55-03-17	handle spring	2					
C23	KC90-04-02	moving pull wire	1					
C22	KC55-03-15	rubber pad	2					
C21	KC30-03-11	chute cap handle	1					
C20	KC30-03-10	regulation handle	2					
C19	GB/T 889.1-2000	hexagon nut with nonmetal insert M6	2					
C18	KC55-03-06	pull wire bolt	2					
C17	KC30-03-09	Gear control lever	1					
C16	KC55-29	individual pen pinchcock	2					
C15	KC30-03-08	Clutch Handle	1					
C14	GB/T 12-1988	carriage bolt M8X35	1					
C13	GB/T 5780-2000	hexagon head bolt M5X30	2					
C12	KC30-03-06	handle bolt	1					
C11	KC30-03-05	Clutch Handle Seat	1					
C10	GB/T 889.1-2000	hexagon nut with nonmetal insert M6	1					
C9	GB/T 889.1-2000	hexagon nut with nonmetal insert M5	2					
C8	KC30-03-04	light	1					
C7	KC55-26	plastic pad	1					
C6	KC30-02-06	Clutch Wire	1					
C5	GB/T 12-1988	carriage bolt M8X40	4					
C4	KC30-03-03	Wire Seat Right	1					
C3	GB/T 6183.1-2000	hexagon flange nut with nonmetal insert M6	8					
C2	KC30-03-02	panel-electronic	1					
C1	KC30-03-01	handle upper	2					
56	GB/T 195-2002	平垫圈 6	1					垫圈 6
55	GB/T 193-1987	弹性垫圈 6	1					6
54	GB/T 818-2000	十字槽盘头螺钉 M6X12	3					M6X12
53	GB/T 889.1-2000	非金属嵌件圆螺母 M6	2					
48	KC30-03-22	Flexible Shaft	1					

设计	日期		KC30-03-00
ying	2011.4		
审核		图号	
批准		比例	1:3

借通附件登记  
描图  
校描  
旧底图总号  
签字  
日期