

技术要求

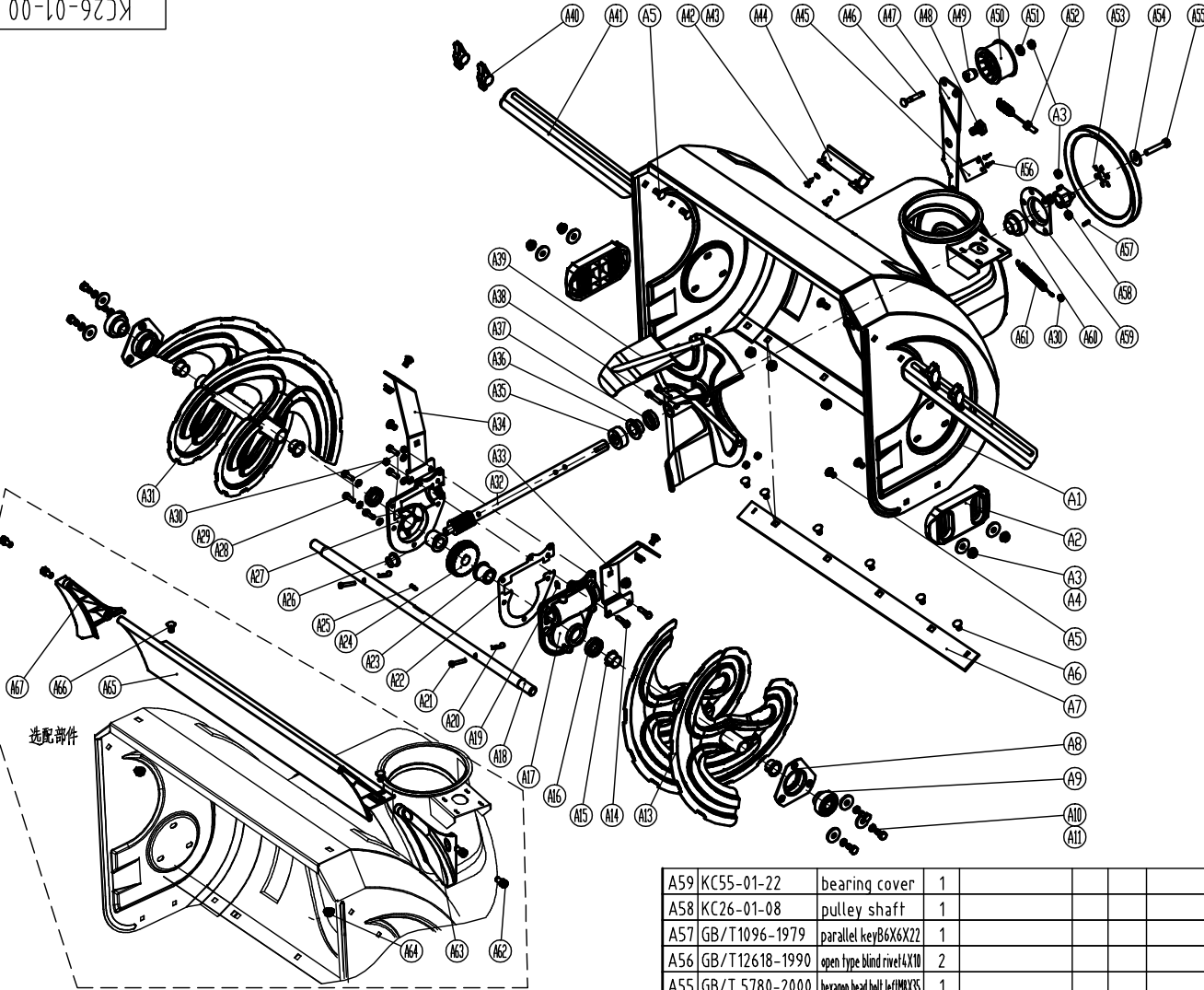
1. 装配前,所有零件应用于干净,无杂物、异物。
2. 装配过程,表面油漆不得划伤、碰掉漆等。
3. 装配后,调节各个拉线的螺母使拉线的松紧适中,调节阻尼器的螺母使推把手柄的阻力适中,调节左右边的雪撬高度,使雪撬接触地面。
4. 旋转摇杆能灵活带出雪口转向,无卡阻。
5. 放开手柄风扇要在4秒内停止转动。

D29	GB/T 77-2000	Hexagon steel set screws with flat point M10	1						M6X8
D28	KC30-13	Rotate	1						
D27	GB/T93-1987	spring washer 6	5						
D26	GB/T95-2002	flat washer 6	5						
D25	GB/T 5780-2000	hexagon head bolt M6X12	5						
D24	KC26-09	guard rail	1						
D23	KCW-03	Monolithic closure cap 6	1						
D22	KC55-24	snow removal tool	1						
D21	KC55-03-21	chute cap pull wire	1						
D20	GB/T12-1988	carriage bolt M8X16	2						
D19	KC55-26	plastic pad	3						
D18	KC26-08	chute cap assembly	1						
D17	KC26-07	bolt	1						
D16	KC55-18	chute spring	1						
D15	KC26-06	chute assembly	1						
D14	GB/T96.1-2002	big washer 8	1						
D13	GB/T 5780-2000	hexagon head bolt M8X20	1						
D12	KC90-12	Belt gear lever	1						
D11	KC55-13	belt cover	1						
D10	GB/T 9074.17-1988	hexagon head ball assembly 6X16	3						
D9	KC30-06	bracket	1						
D8	GB/T12-1988	carriage bolt M8X75	1						
D7	KC26-05	aluminum gasket	2						
D6	KC55-25	plastic nut	4						
D5	KC55-04	plastic nut housing	4						
D4	KC26-04	Connecting Rod	1						
D3	GB/T 6171-2000	Hexagon nut with the flat head M10	1						
D2	KC55-10	right angle gimbal	1						
D1	GB/T 6183.1-2000	flange nut M8	9						

D33	13X885	belt	1						
D32	KC55-23	fixed block	3						
D31	GB/T 818-2000	hexagonal nut with seal lock M10	6						
D30	GB/T 889.1-2000	hexagon nut M6	6						

借通用件登记
描图
校描
旧底图总号
签字
日期

DESIGN	YING	DATE	
CHECKED			
QA			
APPVED			
SIZE	AZ	FIGURE	PART NO. KC26MS-00
SCALE	1:4	QUANTITY	



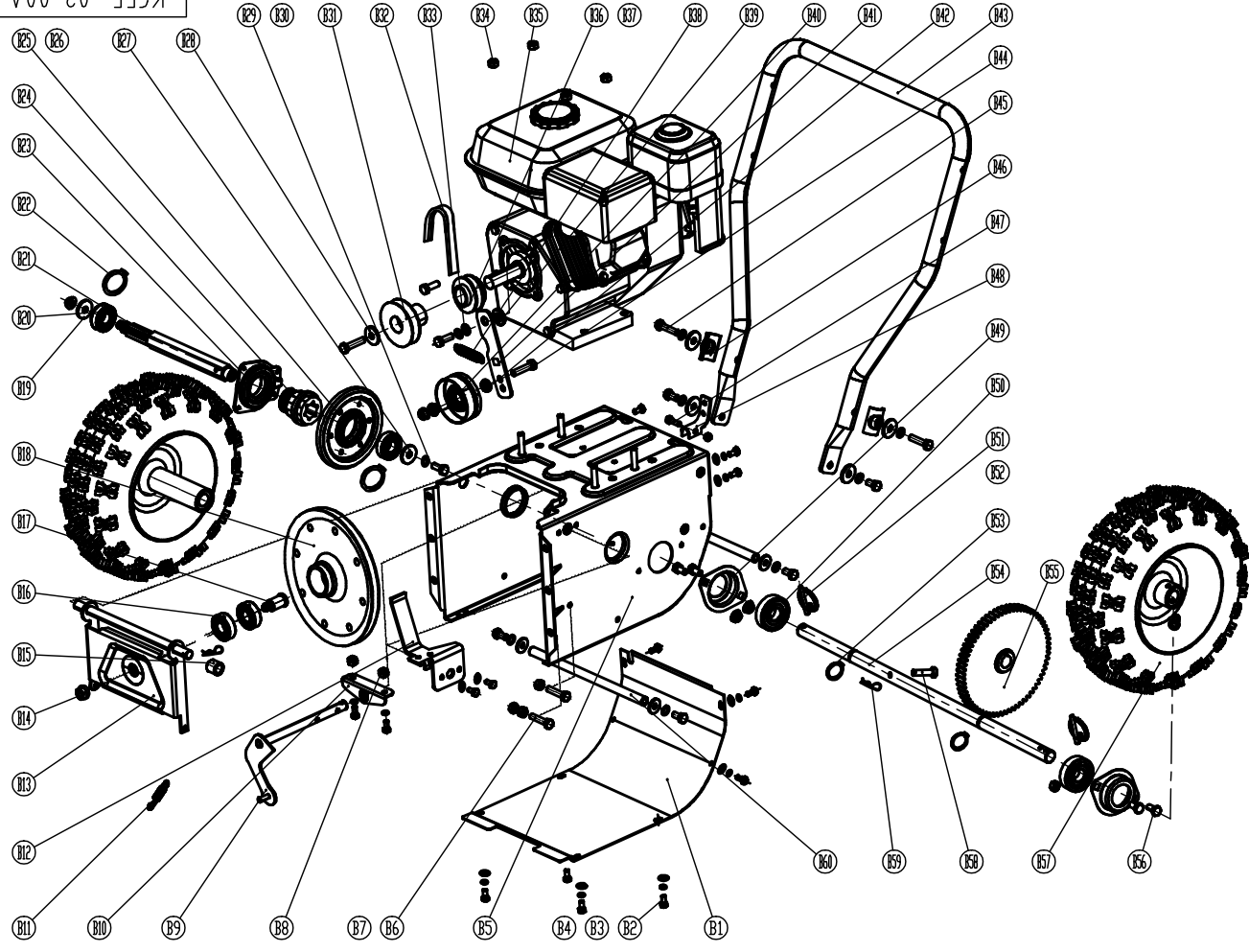
A43	GB/T95-2002	flat washer 6	2							
A42	GB/T 845-1985	parallel key with rounded ends (A20)	2							ST4.2X13
A41	KC26-01-06	Housing Strut	2							
A40	KC55-25	plastic nut	4							
A39	KC26-01-05	fan	1							
A38	GB/T 5780-2000	hexagon head bolt M6X35	2							
A37	GB 13871-1992	sealing ring B 20 35	1							
A36	KC55-01-19	Worm Shaft 1	1							
A35	KC55-01-18	Worm Gear Ring	1							
A34	KC90-01-07	bracket left	1							
A33	KC90-01-06	bracket right	1							
A32	KC55-01-17	worm shaft bushing	1							
A31	KC55-01-15A	auger left	1							
A30	GB/T 889.1-2000	hexagon nut with nonmetal insert M6	5							
A29	GB/T93-1987	spring washer 6	7							8
A28	GB/T 5780-2000	hexagon head bolt M6X20	7							
A27	KC55-01-14	worm housing left	1							
A26	KC55-01-16	Worm Shaft 2	1							
A25	GB/T1096-1979	parallel key B5X5X15	1							
A24	KC55-01-13	worm gear	1							
A23	KC55-01-12	output shaft sleeve (φ19)	2							
A22	KC55-01-11	paper washer	1							
A21	KC55-01-11	safety screw	2							
A20	KC55-29	individual pen pinchcock	2							
A19	GB1153-89	angle hydraulic grease nipples 70° M6	1							
A18	KC26-01-04	output shaft (630)	1							
A17	KC55-01-08	worm housing right	1							
A16	GB13871-1993	frame work sealing ring 09X30X7	2							
A15	KC55-01-06	small bushing	4							
A14	GB/T 5780-2000	hexagon head bolt M6X30	2							
A13	KC55-01-07A	auger right	1							
A11	GB/T93-1987	spring washer 8	6							
A10	GB/T 5780-2000	hexagon bolt M8X15	6							
A9	KC55-01-05	bearing	2							
A8	KC55-01-04	bearing cover	2							
A7	KC26-01-03	shave plate	1							
A6	GB/T12-1988	carriage bolt M8X15	9							
A5	GB/T12-1988	carriage bolt M8X20	4							
A4	GB/T96.2-2002	big washer 8	10							
A3	GB/T 6183.1-2000	hex flange nut with nonmetal insert M6	17							
A2	KC26-01-02	slide shoe	2							
A1	KC26-01-01	housing assembly	1							

A59	KC55-01-22	bearing cover	1							
A58	KC26-01-08	pulley shaft	1							
A57	GB/T1096-1979	parallel key B6X6X22	1							
A56	GB/T12618-1990	open type blind rivet 4X10	2							
A55	GB/T 5780-2000	hexagon head bolt left M6X35	1							
A54	GB/T5287-2002	jumbo washer 8	1							
A53	KC26-01-07	belt pulley	1							
A52	KC55-01-28	auger pull wire	1							
A51	KC55-01-26	pad	1							
A50	KC55-01-27	big tension pulley	1							
A49	KC55-01-24	pad	1							
A48	KC55-01-29	hexagon screw	1							
A47	KC55-01-23	fixed plate	1							
A46	GB/T12-1988	carriage bolt M8X40	1							
A45	KC55-01-30	shave plate	1							
A44	KC55-01-21	bracket for smv removal tool	1							

A67	KC26-01-11	Left Cover of Higher Panel	1							
A66	GB/T12-1988	carriage bolt M8X20	2							
A65	KC26-01-10	Higher Panel	1							
A64	GB/T 6183.1-2000	hex flange lock nut M8	2							
A63	KC26-01-09	Right Cover of High Panel	1							
A62	GB/T 70.1-1985	hexagon socket cap screw M8X6	4			M8X16				
A61	KC55-01-31	spring 5	1							
A60	6204S-2Z-WB1	ball bearing	1							

序号	代号	名称	数量	材料	单件重量	总计重量	备注
		DATE	2012.1				
		DESIGNED					
		QA					
		APPVED					
		SIZE	A2	FIGURE		ORDER NO.	KC26-01-00
		SCALE	1:6			QUANTITY	

KC55·02-00A



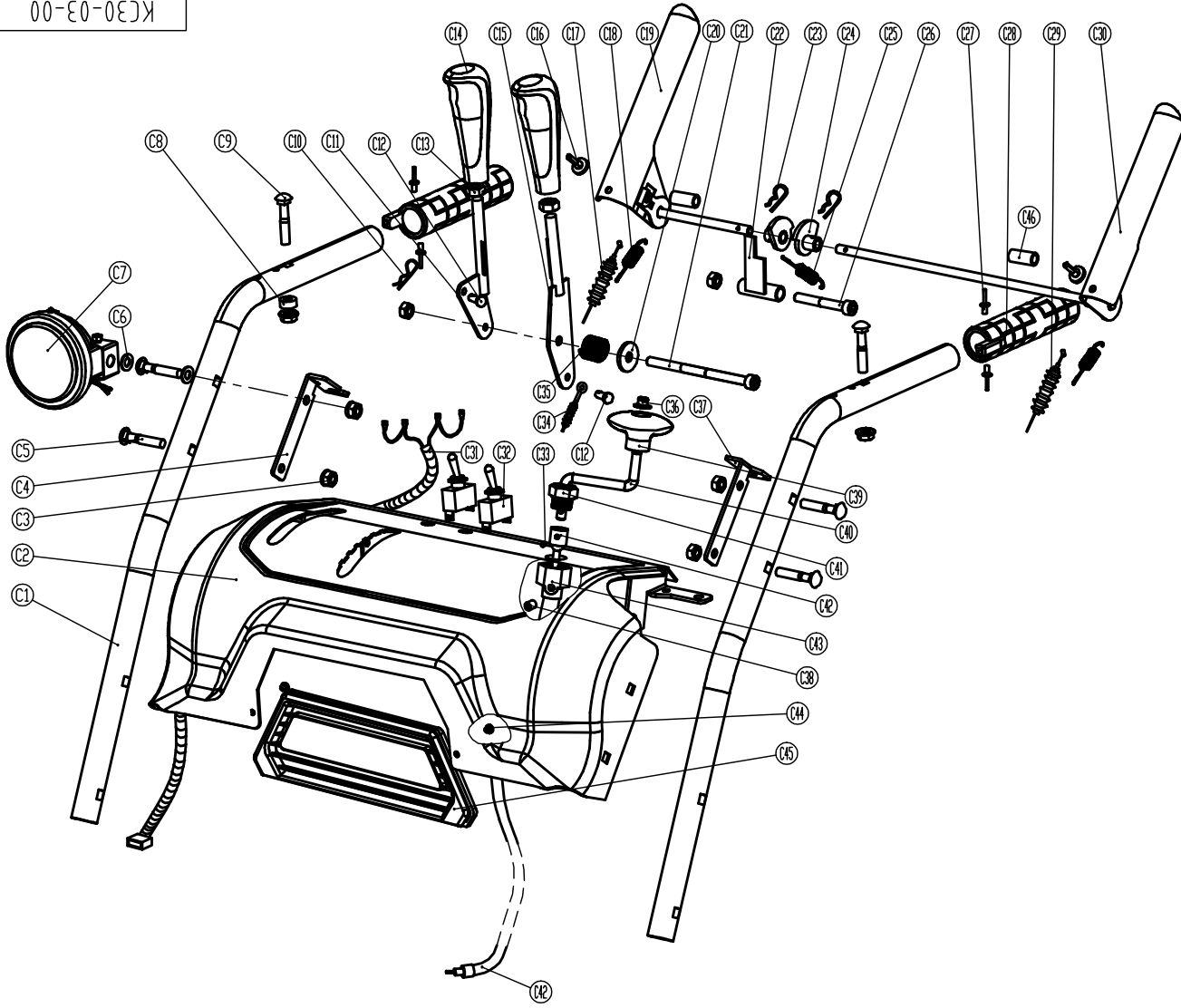
B42	KC55·02-23	Pad	2						
B41	KC55·02-22	Small Tension Plate	1						
B40	KC55·02-21	Small Tension Pulley	1						
B39	KC55·02-20	Pad,for Small Tension Pulley	1						
B38	KC55·02-19	Spring 3	1						
B37	KC55·02-18	Belt Wheel Turntable 2	1						
B36	KC55·02-17	Belt Wheel Turntable 1	1						
B35	G200F	Engine	1						
B34	GB/T 6183.1-2000	Hexagon head bolt with seal ring	9						
B33	GB/T95-1985	Flat Washer 8	5						
B32	37X136EB	Belt	1						
B31	KC55·02-16	Belt Pulley 2	1						
B30	GB/T93-1987	Spring Washer 8	10						
B29	GB/T 5781-2000	Hexagon Bolt M8X20	5						
B28	GB/T5287-2002	Jumbo Washer 8	1						
B27	GB/T96.1-2002	Big Washer 8	5						
B26	KC55·02-15-1	Big Washer, for Gear Wheel	2						
B25	KC55·02-15-2	Rubber Ring, for Gear wheel	1						
B24	KC55·02-15-3	Gear Wheel	1						
B23	KC55·02-15-4	Gear wheel cover	2						
B22	GB894.2-86	Check Ring, For shaft 40	1						
B21	KC55·02-14	Hexagon transmission shaft	1						
B20	6202-ZZN	Ball Bearing	2						
B19	GB/T96.1-2002	Big Washer 10	1						
B18	KC55·02-13	Big Belt Wheel							
B17	KC55·02-12	Drive Belt Axle	1						
B16	6003-2RS	Bearing	2						
B15	KC55·02-10	Spacer	1						
B14	GB/T6183-2000	Hexagon head bolt with seal ring	2						
B13	KC55·02-09	Bevel Wheel Bracket	1						
B12	KC55·02-08	Bevel Baffle	1						
B11	KC55·02-07	Spring 6	1						
B10	KC55·02-06	Right Angle Metal Block	1						
B9	KC55·02-05	shifting fork	1						
B8	GB/T 70.1-1985	Hexagon socket cap screws M6X8	4						
B7	GB/T 889.1-2000	Hexagon nuts with non-actinic insert 16	3						
B6	GB/T5781-2000	Hexagon head Bolt M6X35	2						
B5	KC55·02-02	Wheel Box	1						
B4	GB/T95-1985	Flat Wahser 6	11						
B3	GB/T93-1987	Spring Washer 6	17						
B2	GB/T5781-2000	Hexagon Head Bolt M6X10	17						
B1	KC55·02-01	Cover, Frame	1						

B55	KC55·02-30	differential	1						
B54	KC55·02-29A	Drive Shaft	1						
B53	GB894.2-86	circlip, for shaft 19	2						
B52	KC55·02-28	Spring Ring	2						
B51	KC55·02-27	Spring Bolt	2						
B50	6304-2RS	Ball Bearing	2						
B49	KC90.02-11	rhombus bearing housing	2						
B48	KC55·02-26S	Gear Connector	1						
B47	GB/T 5781-2000	Hexagon Head Bolt	1						
B46	KC55·02-25	Gasket	2						
B45	GB/T 5781-2000	Hexagon Head Bolt M8X45	2						
B44	GB/T 5781-2000	Hexagon Head Bolt M8X35	1						
B43	KC55·02-24	Armrest	1						

B60	KC55.02-40	Strut Bar	2						
B59	KC55-29	individual pen pinchcock	2						
B58	KC55.02-41	Pinned shaft with whole	1						
B57	145/70-6	Tyre	2						
B56	GB/T 5781-2000	Hexagon Head Bolt M8X5	4						

序号	代号	名称	数量	材料	单件重量	总计重量	备注
		DATE					
		DESIGNED					
		DR					
		APPVED					
		SCALE 1:5					
		KC MECHANICAL & ELECTRICAL					
		SIZE A2	DRAWING NO. KC55-02A				
		DATE					

00-E0-0E3X



C44	GB/T 818-2000	cross recessed raised head bolt M6X8	2						M6X8
C43	KC30-03-23	Fixed Seat 1	1						
C42	KC30-03-22	Flexible Shaft	1						
C41	KC30-03-21	Fixed Seat 2	1						
C40	KC30-03-20	small rocker	1						
C39	KC30-03-19	Rocker Handle	1						
C38	GB/T 77-2000	Hexagon socket set screw M6X8	1						M6X8
C37	KC30-03-15	Wire Seat	1						
C36	KCW-01	Monolithic closure cap 8	1						
C35	KC55-03-04	preflighten spring	1						
C34	KC55-03-21	chute cap pull wire	1						
C33	GB/T 77-2000	screw M4X6	1						
C32	HY64	arc switch	2						
C31	KC30-03-14	input wire	1						
C30	KC30-03-13	handle left	1						
C29	KC90-01-12	Auger Pull Wire	1						
C28	KC90-04-04	Heated Handle	2						
C27	GB/T 12618-1990	open type blind rivet 3X8	4						
C26	GB/T 70.1-1985	hexagon socket cap screw M6X10	1						
C25	KC55-03-11	stopping spring	1						
C24	KC55-03-13	cam	2						
C23	KC55-03-23	individual pen pinchrock	2						
C22	KC55-03-12	stoping part	1						
C21	GB/T 70.1-1985	hexagon socket cap screw M6X20	1						
C20	GB/T 5287-2002	jumbo washer 8	1						
C19	KC30-03-12	handle ,right	1						
C18	KC55-03-17	handle spring	2						
C17	KC90-04-02	moving pull wire	1						
C16	KC55-03-15	rubber pad	2						
C15	KC30-03-26	chute cap handle	1						
C14	KC30-03-10	regulation handle	1						
C13	GB/T 41-2000	Hex Nut M10	2						
C12	KC55-03-06	pull wire bolt	2						
C11	KC30-03-09	Gear control lever	1						
C10	KC55-29	individual pe n pinchrock	2						
C9	GB/T 12-1988	carriage bolt M8X35	1						
C8	KC30-03-07	washer	2						
C7	KC30-03-04	light	1						
C6	KC55-26	plastic pad	1						
C5	GB/T 12-1988	carriage bolt M8X40	4						
C4	KC30-03-03	Wire Seat Right	1						
C3	GB/T 6183.1-2000	hex flange nut with nonmetal insert M6	8						
C2	KC30-03-02	panel ,electrical	1						
C1	KC30-03-01	handle upper	2						

借通用件登记
描图
校描
旧底图总号
签字
日期

C46	KC30-03-25	spacer	2						
C45	KC30-03-24	panel	1						

<table border="1"> <tr> <td>DATE</td> <td>2011.4</td> </tr> <tr> <td>DESIGNED</td> <td></td> </tr> <tr> <td>QA</td> <td></td> </tr> <tr> <td>IMP</td> <td></td> </tr> <tr> <td>APPROVED</td> <td></td> </tr> </table>	DATE	2011.4	DESIGNED		QA		IMP		APPROVED			<table border="1"> <tr> <td>DATE</td> <td>FIGURE NO.</td> <td>ISSUE NO.</td> <td>REV</td> </tr> <tr> <td>AZ</td> <td></td> <td></td> <td></td> </tr> <tr> <td>SCALE</td> <td>1:3</td> <td></td> <td>QUANTITY</td> </tr> </table>	DATE	FIGURE NO.	ISSUE NO.	REV	AZ				SCALE	1:3		QUANTITY
DATE	2011.4																							
DESIGNED																								
QA																								
IMP																								
APPROVED																								
DATE	FIGURE NO.	ISSUE NO.	REV																					
AZ																								
SCALE	1:3		QUANTITY																					